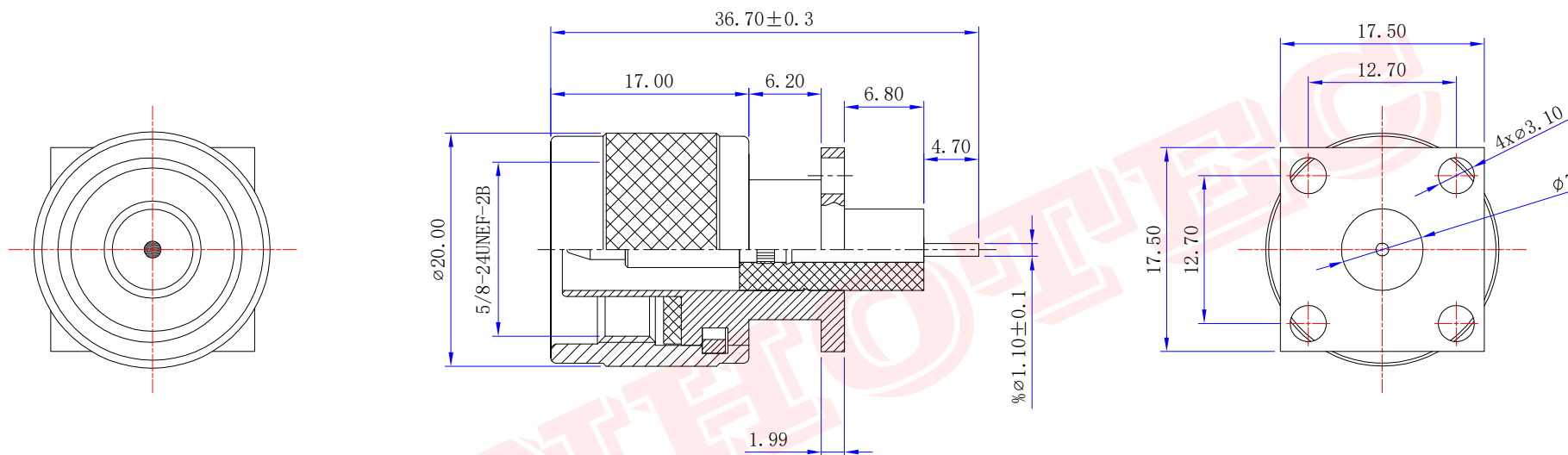


RHT-614-0235


REV	DESCRIPTION	DWN	DATE	APPROVEN
R1.0	First issue	Gavin	2018/03/12	JIM.KING
R2.0	Size change	Gavin	2023/03/12	JIM.KING



Specifications

Impedance: 50 Ohms
 Frequency Range: 0-6G
 VSWR: 1.5MAX
 Voltage Rating: 500 Volts RMS Continuous
 Dielectric Withstanding Voltage: 1500 VRMS Max
 Insulation Resistance: 5000 MΩ Min
 Durability Mating: 500 Cycles min
 Temperature Range: -55°C TO +155°C

3	Center Pin	BRASS	Gold Plating	1
3	Insukaton	PTFE	None	1
2	NUT	Brass	Nickel Plating	1
1	Body	Brass	Nickel Plating	1
NO	DESCRIPTION	MATERIAL	FINISH	QTY

-TOLERANCES- UNLESS OTHERWISE SPECIFIED	 RENHOTEC GROUP				
	PART DESCRIPTION: N PLUG 4-HOLE FLANGE CONNECTORS				
UNLESS OTHERWISE SPECIFIED TOLERANCES FOR MILLIMETERS ARE: 0.5 - 8mm ± 0.20mm 8 - 30mm ± 0.25mm 30 - 120mm ± 0.30mm	Appd: JIM.KING	P/N: RHT-614-0235			
Check:	Date	Scale	Unit	Type	Page
Draw: Gavin	2023/03/12	Free	MM	Z	1/1

1

2

3

4

5

6