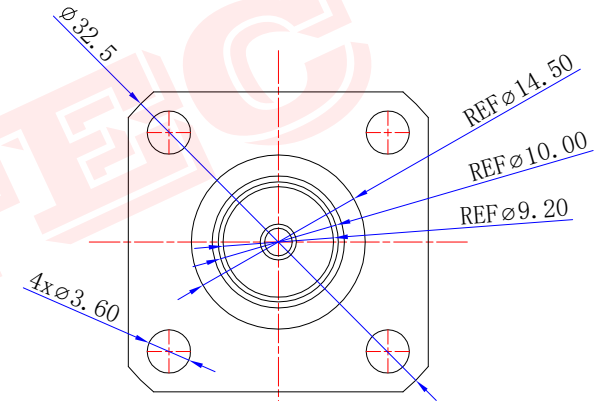
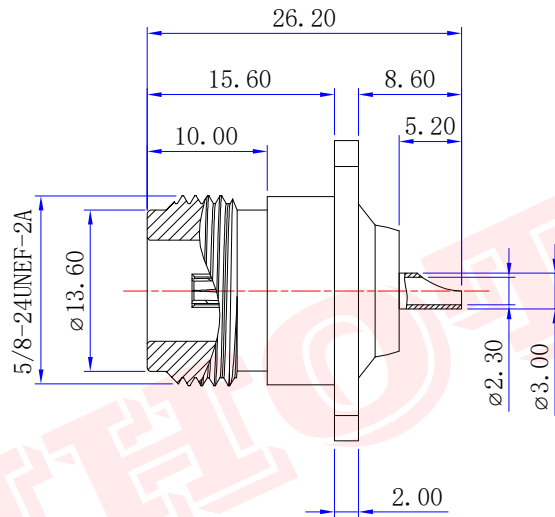
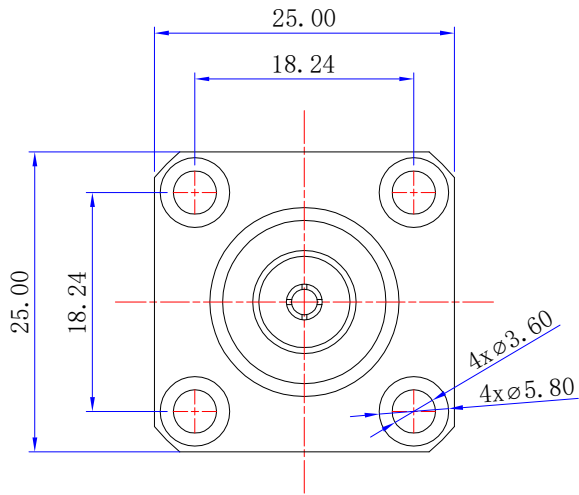




Product NO.		RHT-614-0234		
REV	DESCRIPTION	DWN	DATE	APPROVEN
R1.0	First issue	Gavin	2022/09/15	JIM. KING
R2.0	Connector size changes	Gavin	2022/11/07	JIM. KING



Specifications

Impedance: 50 Ohms
 Frequency Range:0-6G
 VSWR:1.5MAX
 Working Voltage:1000 VRMS(max at sea level)
 Dielectric Withstanding Voltage:1500 vrms(max at sea level)
 Insulation Resistance:5000 MOhms min
 Durability Mating:500 Cycles min
 Temperature Range:-55°C TO +155°C

3	CENTER PIN	BRASS	GOLD PLATED	1
2	INSUKATON	PTFE	NONE	1
1	BODY	BRASS	NICKEL PLATED	1
NO	DESCRIPTION	MATERIAL	FINISH	QTY

-TOLERANCES- UNLESS OTHERWISE SPECIFIED	RENHOTEC GROUP				
	PART DESCRIPTION: N Female 4-Hole For Cable				
UNLESS OTHERWISE SPECIFIED TOLERANCES FOR MILLIMETERS ARE: 0.5 - 8mm ± 0.20mm 8 - 30mm ± 0.25mm 30 - 120mm ± 0.30mm	Appd: JIM. KING	P/N: RHT-614-0234			
	Check:	Date	Scale	Unit	Type
	Draw: Gavin	2022. 11. 07	Free	MM	Z
				Page	
				1/1	

A

B

C

D

E