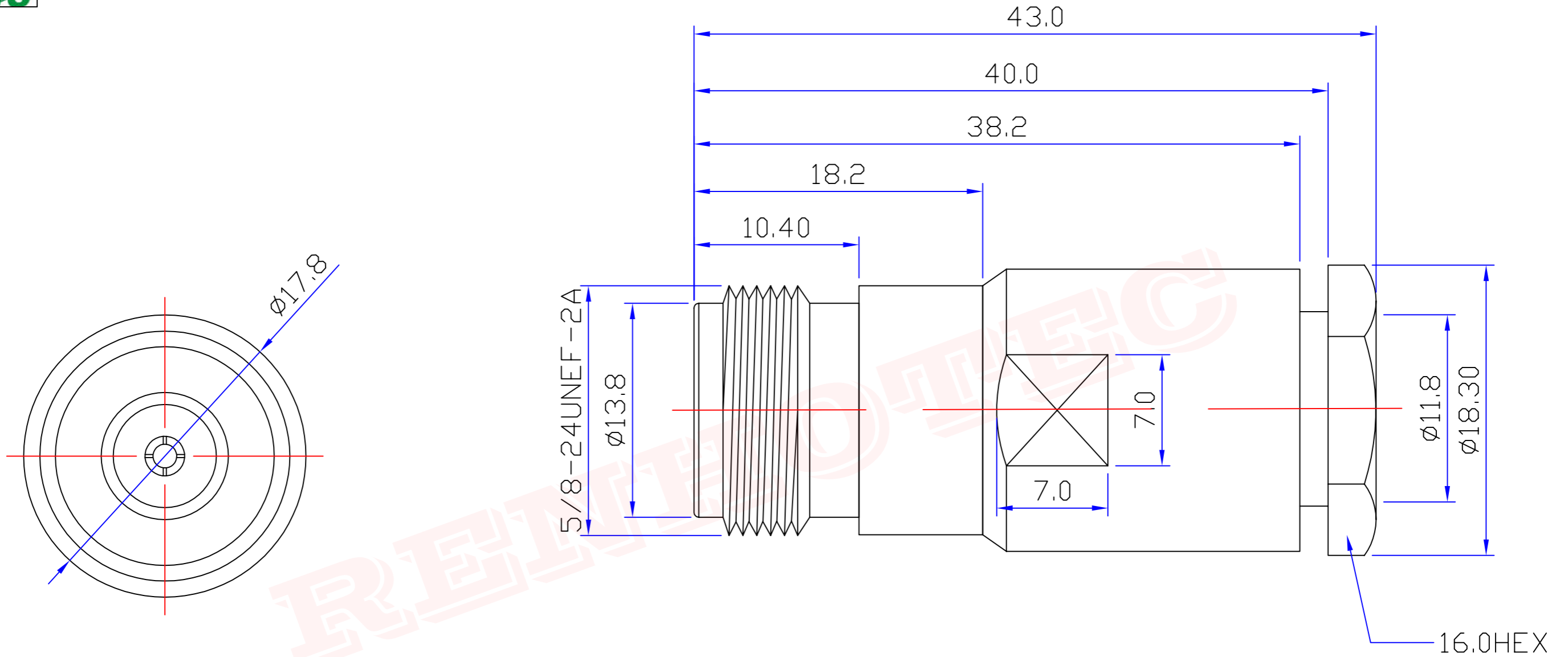




| | | | | | |
|-------------|-------------|--------------|------------|-----------|--|
| Product NO. | | RHT-614-0227 | | | |
| REV | DESCRIPTION | DWN | DATE | APPROVEN | |
| A | First issue | Gavin | 2018/03/12 | JIM. KING | |



Specifications

Impedance: 50 Ohms
 Frequency Range: 0-11G
 VSWR: 1.3MAX
 Working Voltage: 1000 VRMS (max at sea level)
 Dielectric Withstanding Voltage: 1500 vrms (max at sea level)
 Insulation Resistance: 5000 Ohms min
 Durability Mating: 500 Cycles min
 Temperature Range: -65°C TO +165°C

| | | | | |
|----|-------------|----------|--------|-----|
| 3 | PIN | BRASS | GOLD | 1 |
| 2 | INSUKATON | TEFLON | WHITE | 1 |
| 1 | BODY | BRASS | NICKEL | 1 |
| NO | DESCRIPTION | MATERIAL | FINISH | QTY |

| | | | | | |
|---|-----------------------|-------------------|--|------|------|
| -TOLERANCES- UNLESS OTHERWISE SPECIFIED | RENHOTEC GROUP | | | | |
| | | | PART DESCRIPTION: N JACK CONNECTORS | | |
| UNLESS OTHERWISE SPECIFIED TOLERANCES FOR MILLIMETERS ARE: 0.5 - 8mm ± 0.20mm 8 - 30mm ± 0.40mm 30 - 120mm ± 0.50mm | Appd: JIM. KING | P/N: RHT-614-0227 | | | |
| Check: | Date | Scale | Unit | Type | Page |
| Draw: Gavin | 2018/03/12 | Free | MM | Z | 1/1 |