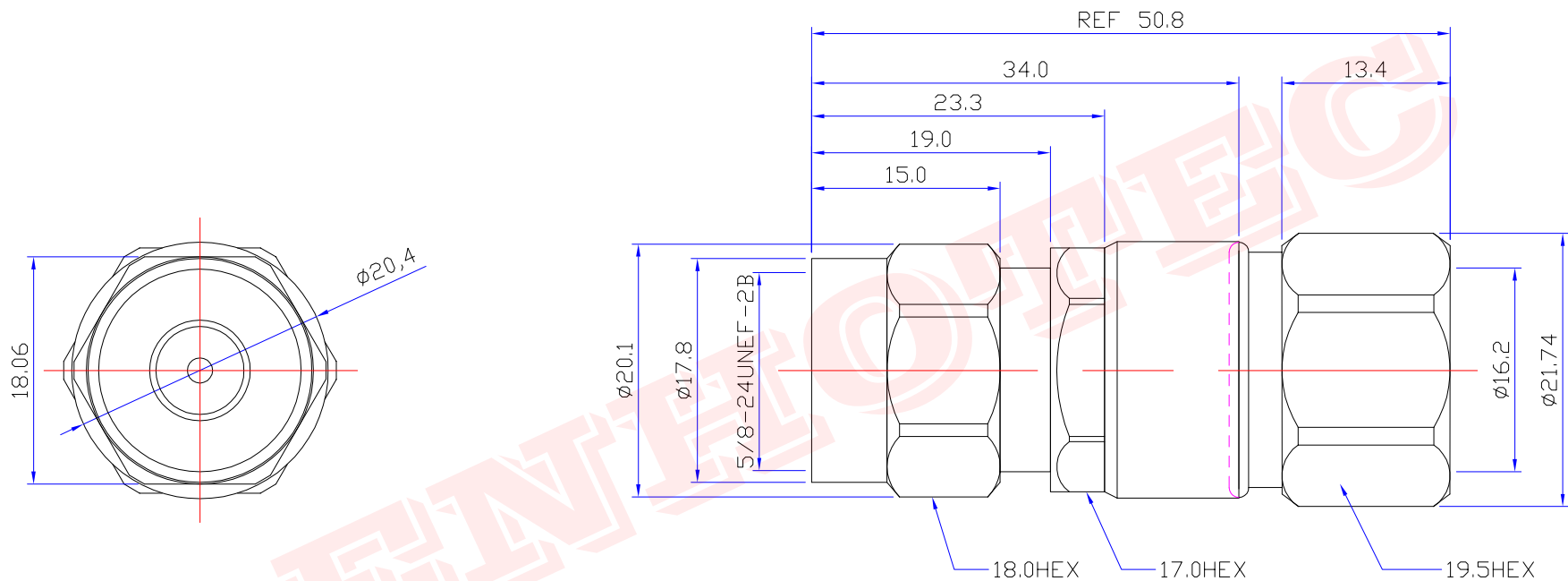




Product NO.		RHT-614-0218			
REV	DESCRIPTION	DWN	DATE	APPROVEN	
A	First issue	Gavin	2018/03/12	JIM. KING	



Specifications

Impedance: 50 Ohms

Frequency Range: 0-6G

VSWR: 1.5MAX

Working Voltage: 1000 VRMS (max at sea level)

Dielectric Withstanding Voltage: 1500 vrms (max at sea level)

Insulation Resistance: 5000 MOhms min

Durability Mating: 500 Cycles min

Temperature Range: -55°C TO +165°C

3	PIN	BRASS	GOLD	1
2	INSUKATON	TEFLON	RED	1
1	BODY	BRASS	NICKEL	1
NO	DESCRIPTION	MATERIAL	FINISH	QTY

-TOLERANCES- UNLESS OTHERWISE SPECIFIED UNLESS OTHERWISE SPECIFIED TOLERANCES FOR MILLIMETERS ARE: 0.5 - 8mm ± 0.20mm 8 - 30mm ± 0.40mm 30 - 120mm ± 0.50mm	RENHOTEC GROUP			
	PART DESCRIPTION: N PLUG FOR 1/2" CABLE			
Appd: JIM. KING	P/N: RHT-614-0218			
Check:	Date	Scale	Unit	Type
Draw: Gavin	2018/03/12	Free	MM	Z
				Page
				1/1