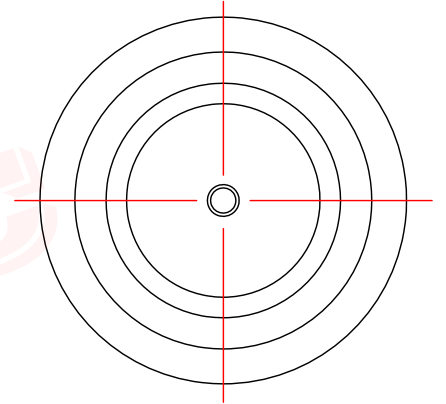
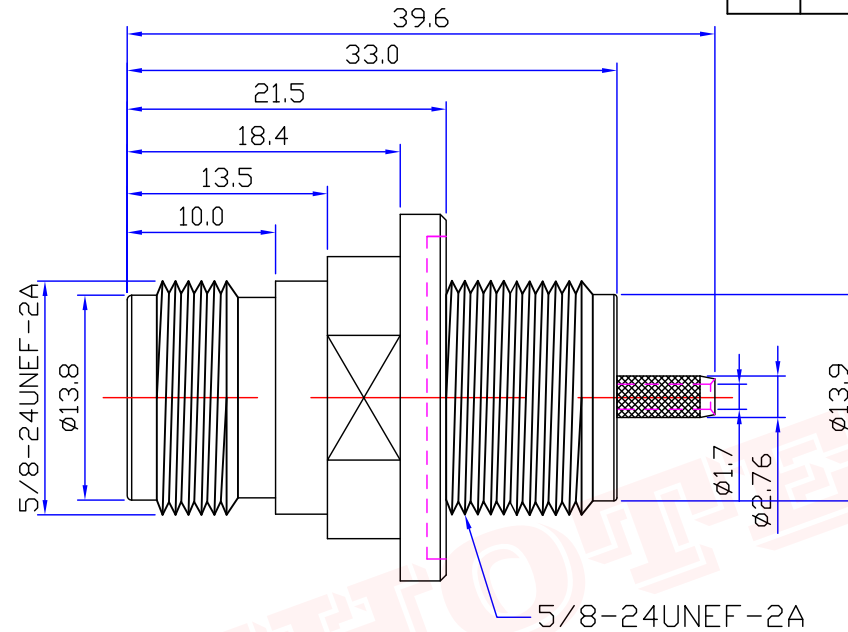
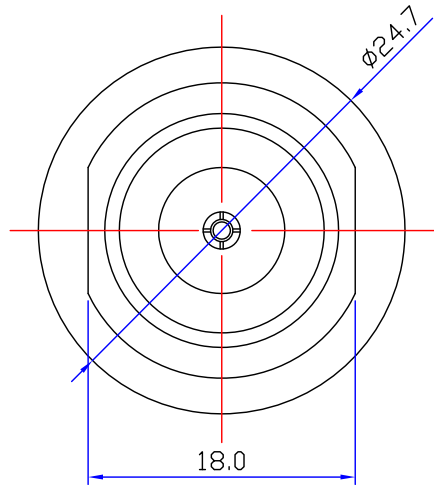




Product NO.		RHT-614-0212			
REV	DESCRIPTION	DWN	DATE	APPROVEN	
A	First issue	Gavin	2018/03/12	JIM.KING	



Specifications

Impedance: 50 Ohms

Frequency Range: 0-11G

VSWR: 1.3MAX

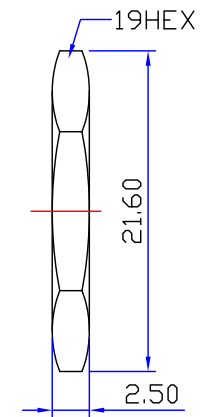
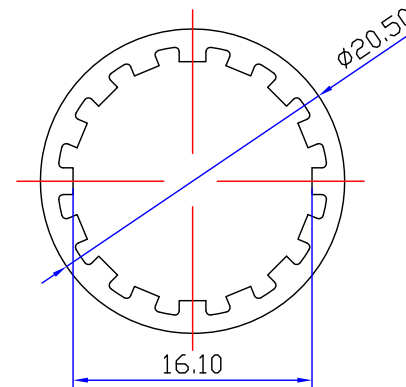
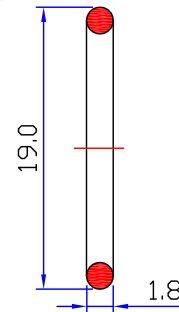
Working Voltage: 1000 VRMS(max at sea level)

Dielectric Withstanding Voltage: 1500 vrms(max at sea level)

Insulation Resistance: 5000 Ohms min

Durability Mating: 500 Cycles min

Temperature Range: -65°C TO +165°C



6	NUT	BRASS	NICKEL	1
5	GASKET	BRASS	NICKEL	1
4	O-RING	EPDM	RED	1
3	PIN	BRASS	GOLD	1
2	INSUKATON	TEFLON	WHITE	1
1	BODY	BRASS	NICKEL	1
NO	DESCRIPTION	MATERIAL	FINISH	QTY

-TOLERANCES- UNLESS OTHERWISE SPECIFIED		<b>RENHOTEC GROUP</b> <a href="http://www.renhotec.com">www.renhotec.com</a>				
UNLESS OTHERWISE SPECIFIED TOLERANCES FOR MILLIMETERS ARE: 0.5 - 8mm ± 0.20mm 8 - 30mm ± 0.40mm 30 - 120mm ± 0.50mm		<b>PART DESCRIPTION:</b> N JACK FOR RG316 CABLE <b>P/N:</b> RHT-614-0212				
Appd: JIM.KING	Check:	Date	Scale	Unit	Type	Page
Draw: Gavin		2018/03/12	Free	MM	Z	1/1