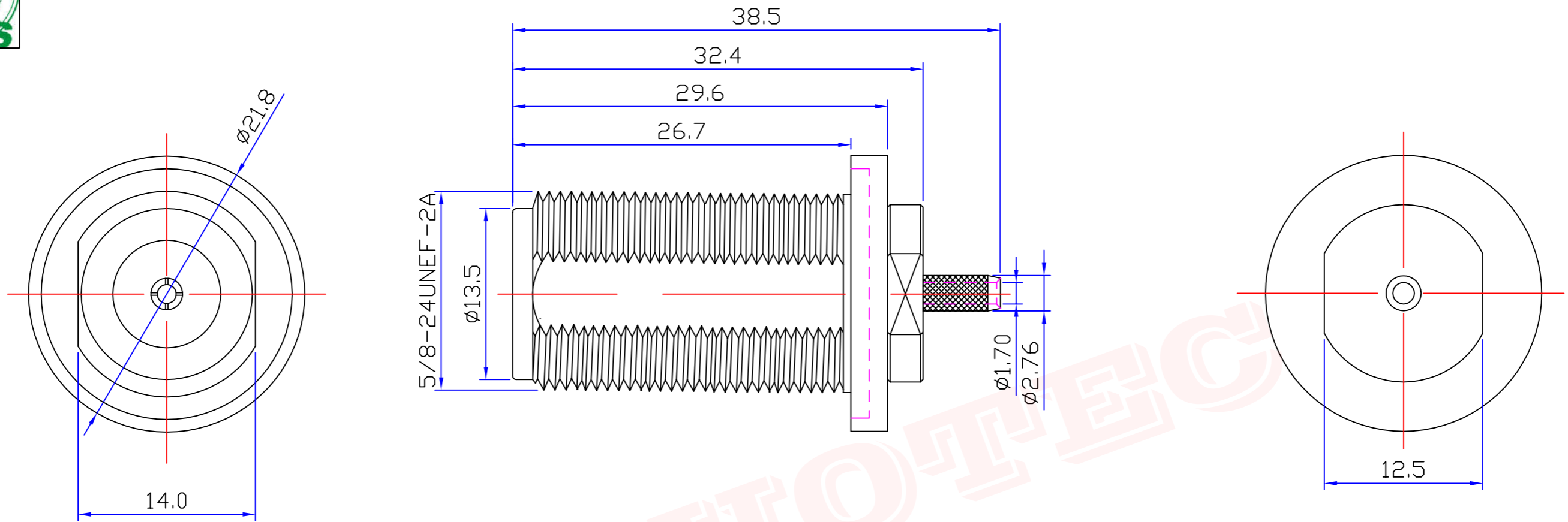


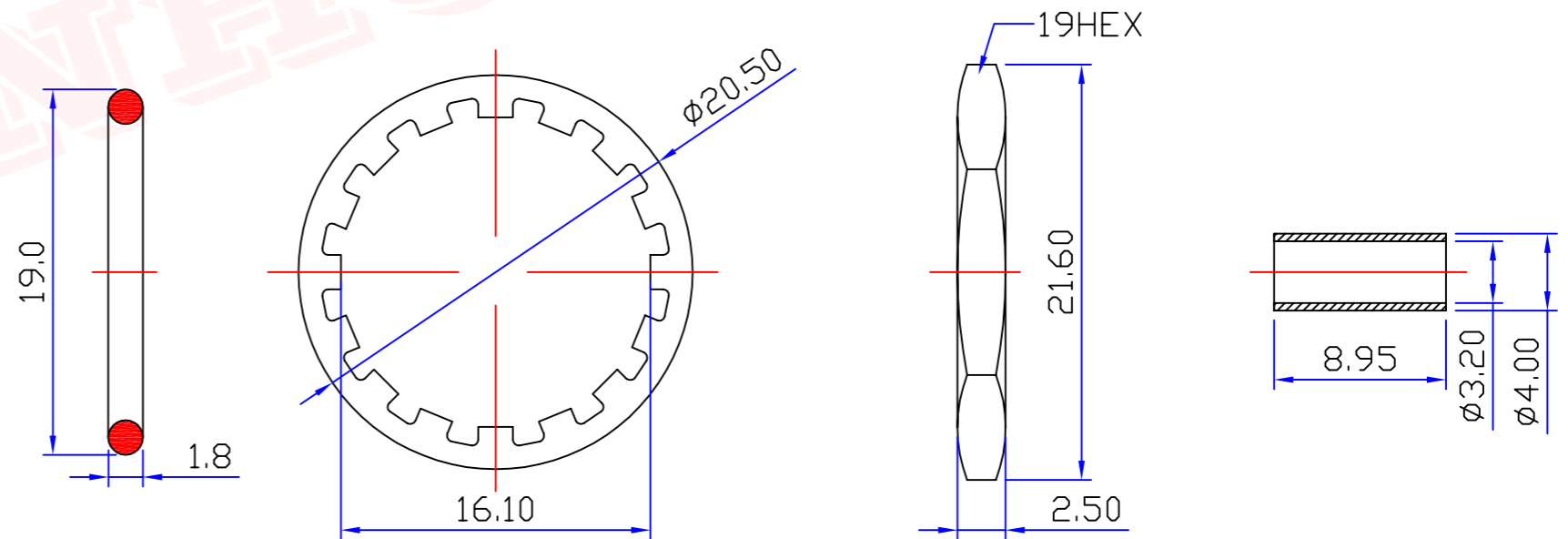


|             |             |              |            |           |
|-------------|-------------|--------------|------------|-----------|
| Product NO. |             | RHT-614-0210 |            |           |
| REV         | DESCRIPTION | DWN          | DATE       | APPROVEN  |
| A           | First issue | Gavin        | 2018/03/12 | JIM. KING |



**Specifications**

Impedance: 50 Ohms  
 Frequency Range: 0-11G  
 VSWR: 1.3MAX  
 Working Voltage: 1000 VRMS (max at sea level)  
 Dielectric Withstanding Voltage: 1500 vrms (max at sea level)  
 Insulation Resistance: 5000 Ohms min  
 Durability Mating: 500 Cycles min  
 Temperature Range: -65°C TO +165°C



|    |             |          |        |     |
|----|-------------|----------|--------|-----|
| 7  | CASING      | BRASS    | NICKEL | 1   |
| 6  | NUT         | BRASS    | NICKEL | 1   |
| 5  | GASKET      | BRASS    | NICKEL | 1   |
| 4  | O-RING      | EPDM     | RED    | 1   |
| 3  | PIN         | BRASS    | GOLD   | 1   |
| 2  | INSUKATON   | TEFLON   | WHITE  | 1   |
| 1  | BODY        | BRASS    | NICKEL | 1   |
| NO | DESCRIPTION | MATERIAL | FINISH | QTY |

|  |   |       |      |      |      |
|--|---|-------|------|------|------|
| -TOLERANCES-<br>UNLESS OTHERWISE<br>SPECIFIED<br><br>UNLESS OTHERWISE SPECIFIED<br>TOLERANCES FOR MILLIMETERS ARE:<br>0.5 - 8mm $\pm$ 0.20mm<br>8 - 30mm $\pm$ 0.40mm<br>30 - 120mm $\pm$ 0.50mm | <b>RENHOTEC GROUP</b>                       |       |      |      |      |
|  | PART DESCRIPTION:<br>N JACK FOR RG316 CABLE |       |      |      |      |
| Appd: JIM. KING  | P/N: RHT-614-0210                           |       |      |      |      |
| Check:   | Date  | Scale | Unit | Type | Page |
| Draw: Gavin  | 2018/03/12                                  | Free  | MM   | Z    | 1/1  |