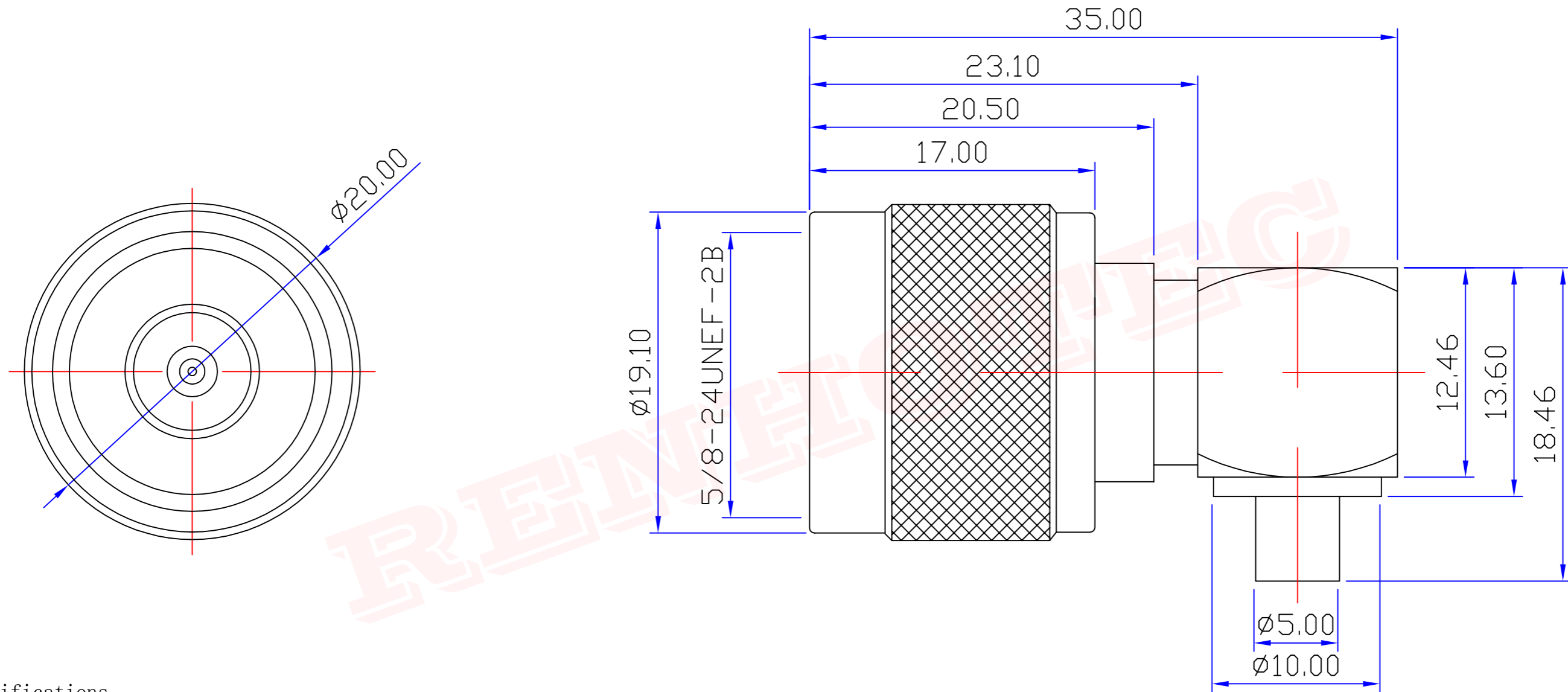




|             |             |              |            |           |
|-------------|-------------|--------------|------------|-----------|
| Product NO. |             | RHT-614-0192 |            |           |
| REV         | DESCRIPTION | DWN          | DATE       | APPROVEN  |
| A           | First issue | Gavin        | 2018/03/12 | JIM. KING |



**Specifications**

Impedance: 50 Ohms  
 Frequency Range: 0-11G  
 VSWR: 1.3MAX  
 Working Voltage: 1000 VRMS (max at sea level)  
 Dielectric Withstanding Voltage: 1500 vrms (max at sea level)  
 Insulation Resistance: 5000 Ohms min  
 Durability Mating: 500 Cycles min  
 Temperature Range: -65°C TO +165°C

|    |             |          |        |     |
|----|-------------|----------|--------|-----|
| 3  | PIN         | BRASS    | GOLD   | 1   |
| 2  | INSUKATON   | TEFLON   | RED    | 1   |
| 1  | BODY        | BRASS    | NICKEL | 1   |
| NO | DESCRIPTION | MATERIAL | FINISH | QTY |

|  |  |  |
|--|--|--|
| -TOLERANCES-<br>UNLESS OTHERWISE<br>SPECIFIED<br><br>UNLESS OTHERWISE SPECIFIED<br>TOLERANCES FOR MILLIMETERS ARE:<br>0.5 - 8mm ± 0.20mm<br>8 - 30mm ± 0.40mm<br>30 - 120mm ± 0.50mm | <b>RENHOTEC GROUP</b>  |  |
|  | PART DESCRIPTION:<br>N R/A MALE CONNEDTORS   |  |
| Appd: JIM. KING<br>Check:<br>Draw: Gavin   | P/N: RHT-614-0192<br>Date: 2018/03/12<br>Scale: Free<br>Unit: MM<br>Type: Z<br>Page: 1/1 |  |