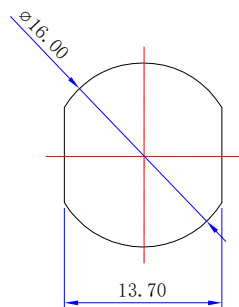
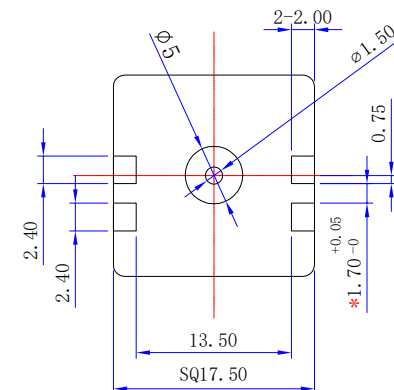
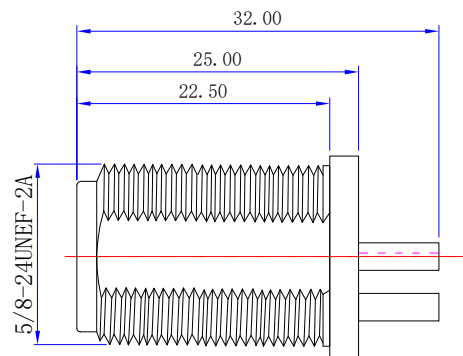
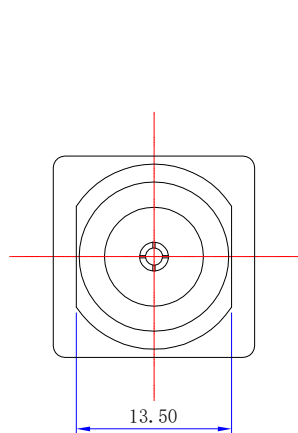
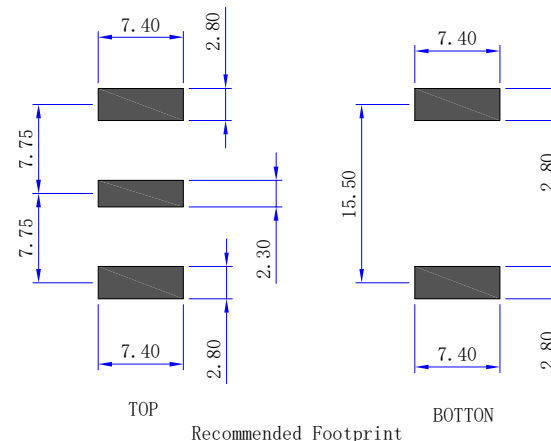
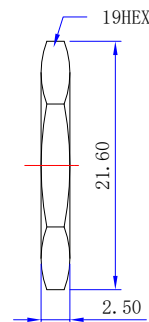
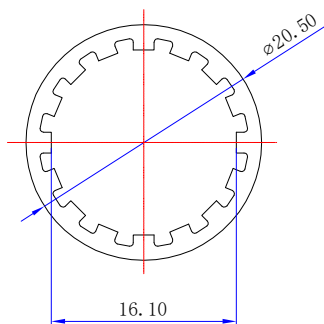




Product NO.		RHT-614-0146			
REV	DESCRIPTION	DWN	DATE	APPROVEN	
A	First issue	Mr Wang	2020/03/27	JIM. KING	
B	Increase rubber core size	Gavin	2020/10/30	JIM. KING	



Recommended opening size



Specifications

Impedance: 50 Ohms
 Frequency Range: 0-6G
 VSWR: 1.3MAX
 Working Voltage: 1000 VRMS (max at sea level)
 Dielectric Withstanding Voltage: 1500 vrms (max at sea level)
 Insulation Resistance: 5000 Ohms min
 Durability Mating: 500 Cycles min
 Temperature Range: -40°C TO +125°C

5	UNT	BRASS	NICKEL	1
4	CASKEL	Iron	NICKEL	1
3	PIN	Be-Cu	GOLD	1
2	INSULATOR	PTFE	NONE	1
1	BODY	BRASS	NICKEL	1
NO	DESCRIPTION	MATERIAL	FINISH	QTY

-TOLERANCES- UNLESS OTHERWISE SPECIFIED UNLESS OTHERWISE SPECIFIED TOLERANCES FOR MILLIMETERS ARE: 0.5 - 8mm ± 0.20mm 8 - 30mm ± 0.25mm 30 - 120mm ± 0.30mm	RENHOTEC GROUP	
	PART DESCRIPTION: N-TYPE End lounch Bulkhead Jack Receptacle P/N: RHT-614-0146	
Appd: JIM. KING Check: Draw: Gavin	Date: 2020. 10. 30 Scale: Free Unit: MM Type: Z Page: 1/1	Appd: Check: Draw: