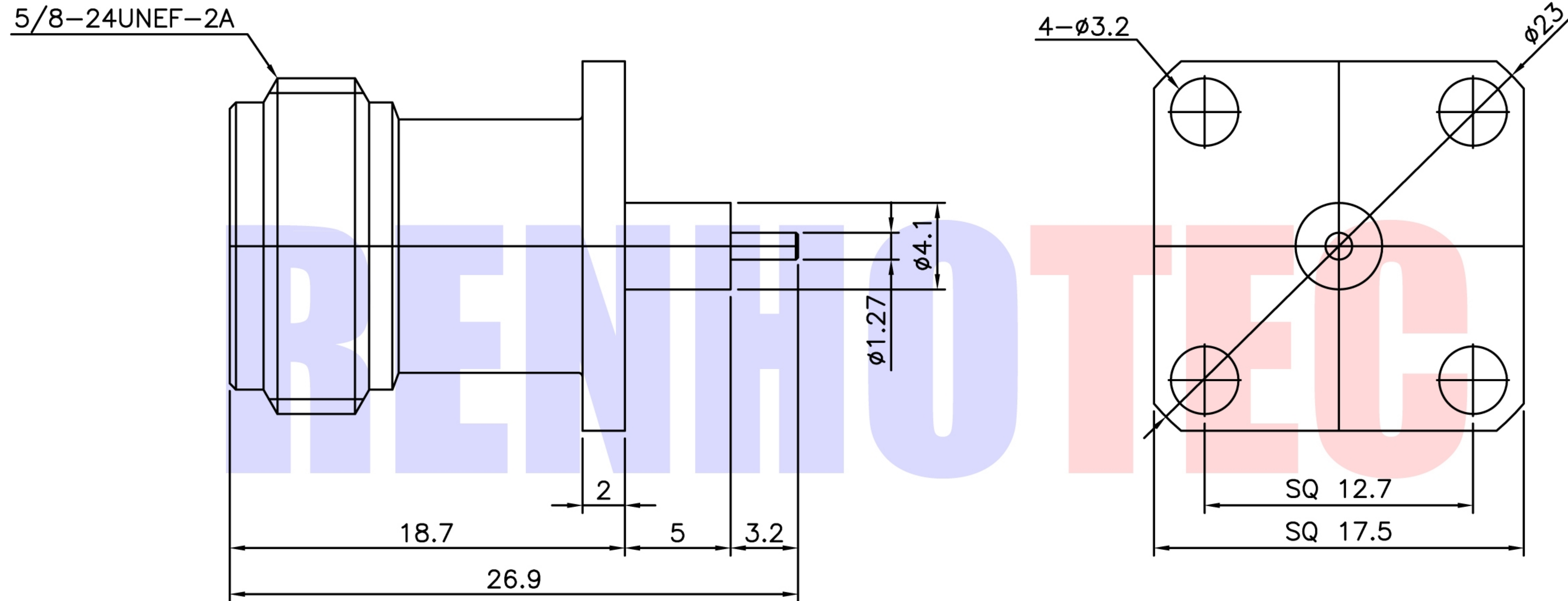




Product NO.	Renhotec-614-0142			
REV	DESCRIPTION	DWN	DATE	APPROVEN
A	First issue	Mr. Wang	2017/2/28	John kine



Connector parts	Materials	Finish
Body	Brass	Nickel Plated
Center contact	Beryllium copper	Gold Plated
Insulator	Teflon	-

NOTE:		Tolerance	0-6	$\pm 0.10$
DRAWN Zelin. Zhang 2017/2/28			6-30	$\pm 0.20$
CHECKED		View	30-120	$\pm 0.30$
APPROVALS <i>John Kine</i> 2017/2/28			Angular	$\pm 2^\circ$
		UNIT	MM	
		SCALE	1:1	



**RENHOTEC GROUP**

Name: N Type Panel Receptacle Jack 4Holes SQ17.5

SIZE A	Product NO. RHT-614-0142	REV B
DateTime 2017/2/28	CAD FILE D/company drawings/BD	SHEET: 1 OF 1