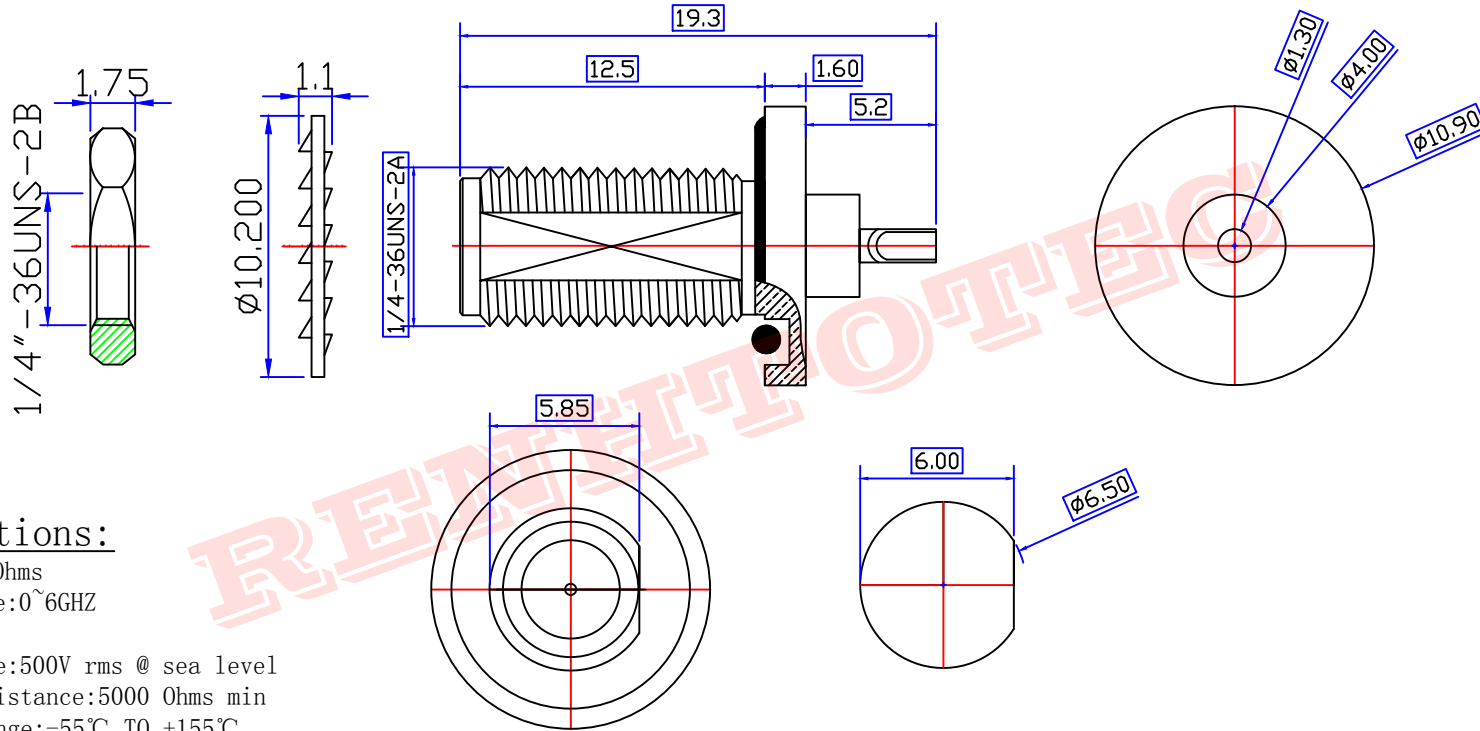




Product NO.	RHT-612-0403			
REV	DESCRIPTION	DWN	DATE	APPROVEN
A	First issue	Mr:chen	2017/2/13	John kine



**Specifications:**

IMPEDANCE: 50 Ohms  
 Frequency range: 0~6GHZ  
 VSWR: 1.5MAX  
 Working voltage: 500V rms @ sea level  
 Insulation resistance: 5000 Ohms min  
 Temperature range: -55°C TO +155°C  
 Relative temperature: ≤95% (40° C ± 2° C)

1	Body	Brass	GOLD
2	Insulator	TEFLON	White
3	CONTACT PIN	BRASS	GOLD
4	HEX NUT	BRASS	GOLD
5	LOCR WASHER	BRASS	GOLD
6	GASKET	SILICONE	BLACK
7			
8			
9			
10			
NO	Component Number	Material	Finish

NOTE:		Tolerance	0-6	±0.10
			6-30	±0.20
		View	30-120	±0.30
			Angular	±2°
DRAWN	2017/02/13	UNIT	MM	
CHECKED				
APPROVALS		SCALE	1:1	
John	13/02.2017			
Kine				

		<b>RENHOTEC GROUP</b>	
Name: SMA JACK		SIZE A	REV A
DateTime: 2017/2/13		Product NO. RHT-612-0403	
D/company drawings/BD		SHEET: 1 OF 1	