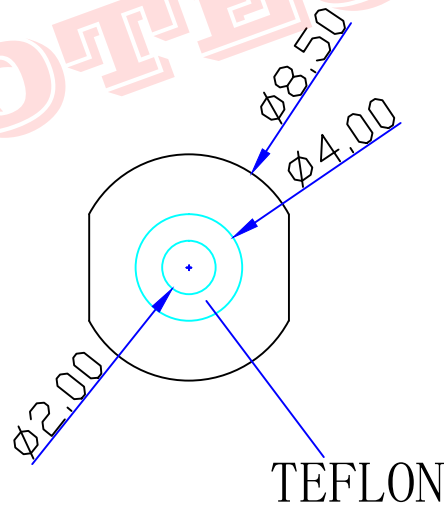
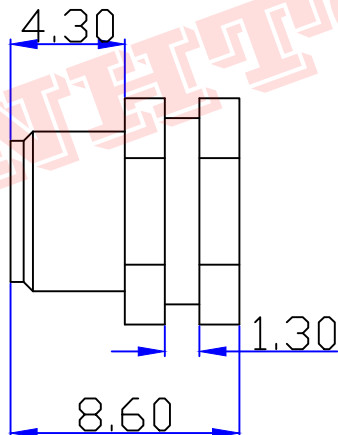
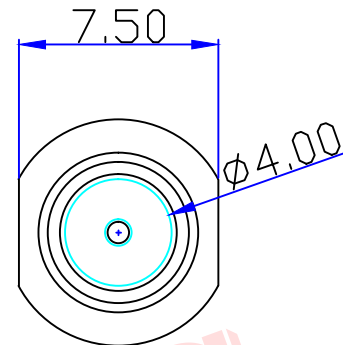
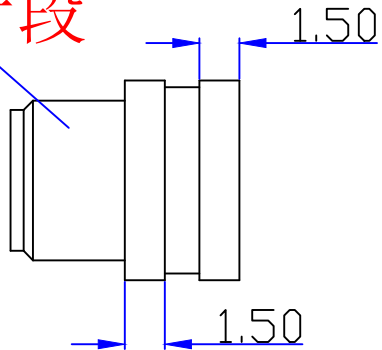
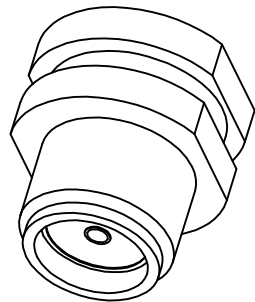




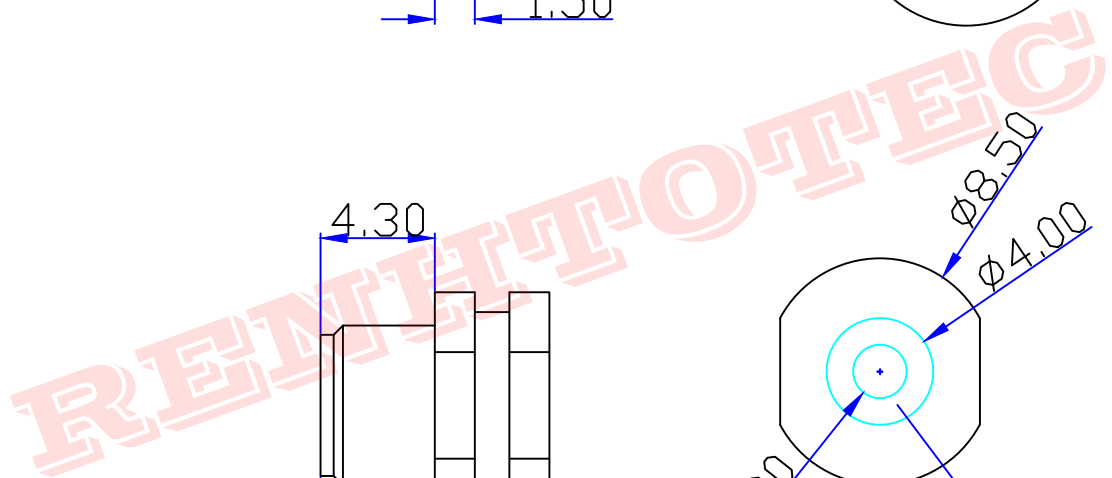
Product NO.	RHT-612-0401			
REV	DESCRIPTION	DWN	DATE	APPROVEN
A	First issue	Mr:chen	2017//13	John kine

螺牙段



**Specifications:**

IMPEDANCE: 50 Ohms  
 Frequency range: 0~6GHZ  
 VSWR: 1.5MAX  
 Working voltage: 500V rms @ sea level  
 Insulation resistance: 5000 Ohms min  
 Temperature range: -55°C TO +155°C  
 Relative temperature: ≤95% (40° C ±2° C)



1	Shell	Brass	AU:1-3u"	NOTE:	Tolerance	0-6	±0.10	<b>RENHOTEC GROUP</b> <a href="http://www.renhotec.com">www.renhotec.com</a>
2	Body	Brass	AU:1-3u"			6-30	±0.20	
3	Insulator	TEFLON	White			30-120	±0.30	
4						Angular	±2°	Name: SMA JACK R/A FOR PCB CONNECTOR
5				DRAWN	2017/02/	View		
6				Zelin.chen	13	UNIT	MM	SIZE
7				CHECKED		SCALE	1:1	A
8				APPROVALS	13/02.2017	DateTime	2017/2/13	Product NO. RHT-612-0401
9				John		CAD FILE	D/company drawings/BD	REV
10	Component Number	Material	Finish	Kine				A
	1	2	3	4	5	6		SHEET: 1 OF 1