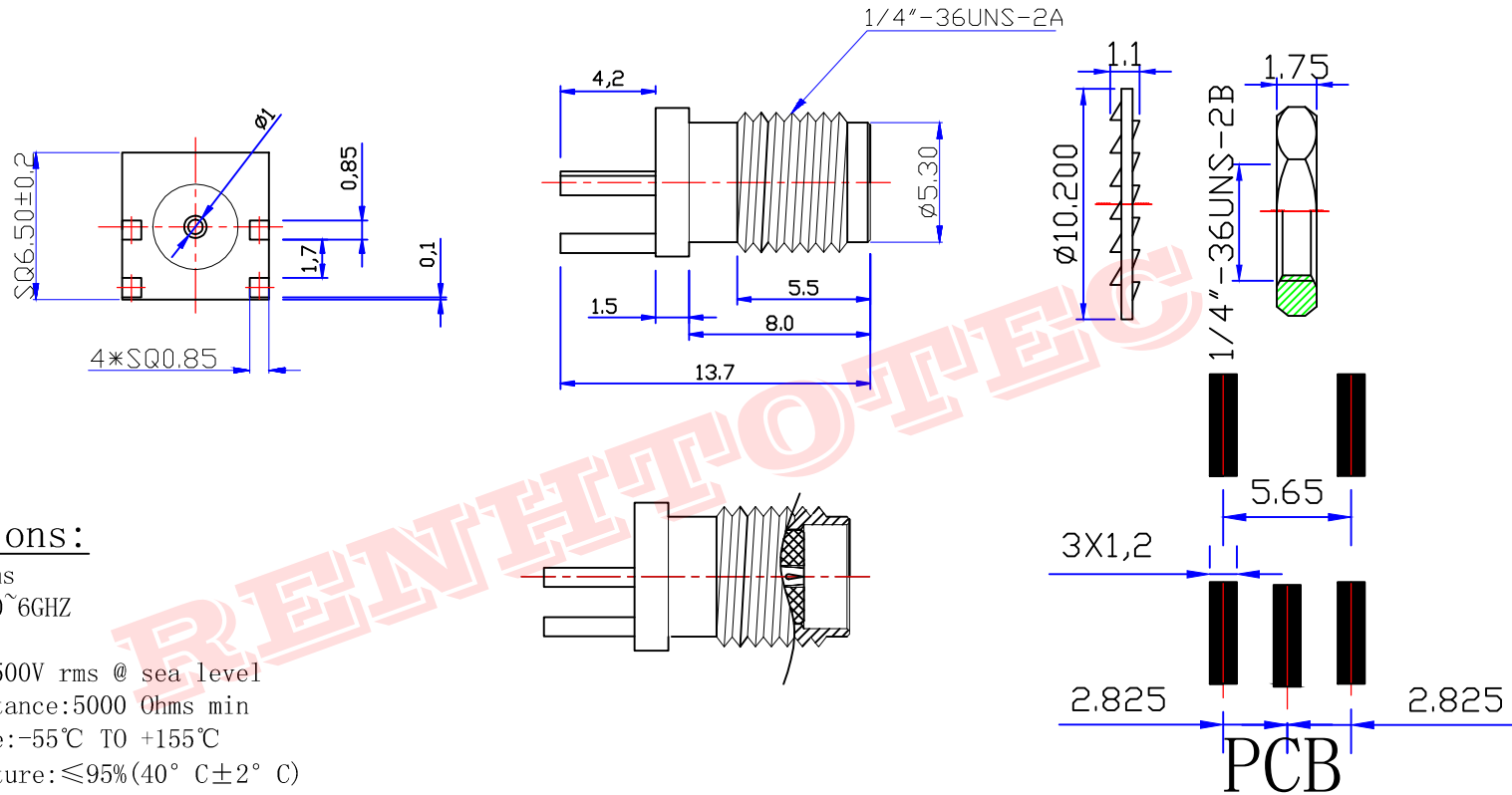




Product NO.	RHT-612-0400			
REV	DESCRIPTION	DWN	DATE	APPROVEN
A	First issue	Mr:chen	2017//13	John kine



**Specifications:**

IMPEDANCE: 50 Ohms  
 Frequency range: 0~6GHZ  
 VSWR: 1.5MAX  
 Working voltage: 500V rms @ sea level  
 Insulation resistance: 5000 Ohms min  
 Temperature range: -55°C TO +155°C  
 Relative temperature: ≤95% (40° C±2° C)

1	Shell	Brass	AU:1-3u"	NOTE:	Tolerance	0-6	±0.10	<b>RENHOTEC GROUP</b> <a href="http://www.renhotec.com">www.renhotec.com</a>
2	Body	Brass	AU:1-3u"			6-30	±0.20	
3	Insulator	TEFLON	None			30-120	±0.30	
4						Angular	±2°	
5				DRAWN	2017/02/	View		Name: SMA JACK FOR PCB
6				Zelin.chen	13			
7				CHECKED		UNIT	MM	SIZE
8				APPROVALS	13/02.2017	SCALE	1:1	A
9				John		Date	2017/2/13	Product NO. RHT-612-0400
10	Component Number	Material	Finish	Kine		Time		CAD FILE
1								D/company drawings/BD
2								SHEET: 1 OF 1
3								
4								
5								
6								