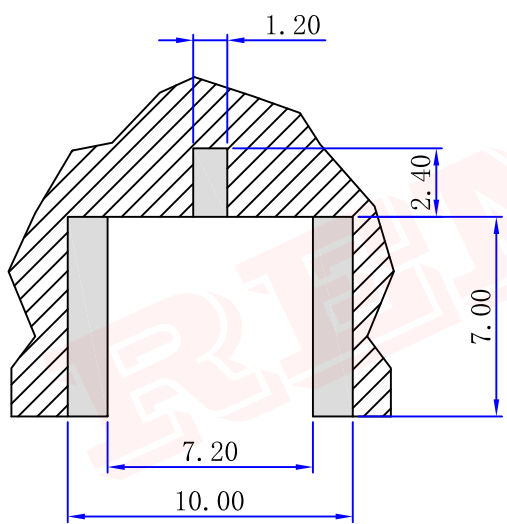
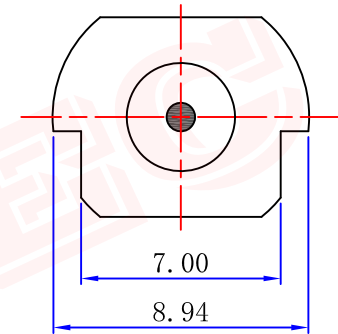
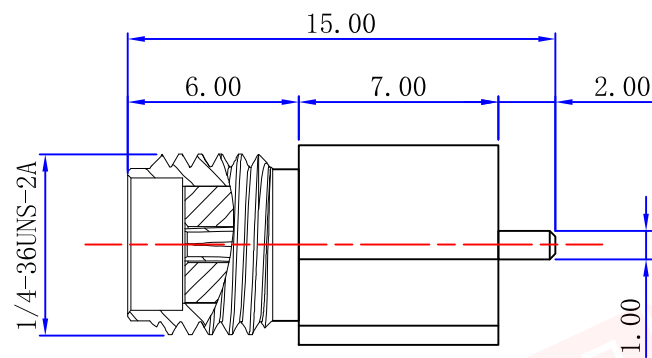
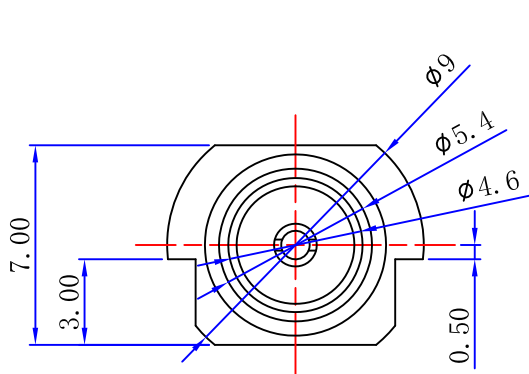




Product NO.		RHT-612-0382		
ISSUE	DESCRIPTION	DWN	DATE	APPROVEN
R1.0	First issue	Mr chen	2017/11/13	JIM. KING
R2.0	Increase PCB Layout	Gavin	2020/06/30	JIM. KING



PCB Layout

Specifications:
 IMPEDANCE: 50 Ohms
 Frequency range: 0~6GHz
 VSWR: 1.5MAX
 Working voltage: 500V rms @ sea level
 Insulation resistance: 5000 Ohms min
 Temperature range: -55°C TO +165°C

3	Center contact	BRASS	AU: 1-3u"	1
2	INSULATOR	PTFE	NATURE	1
1	BODY	BRASS	AU: 1-3u"	1
NO	DESCRIPTION	MATERIAL	FINISH	QTY

-TOLERANCES- UNLESS OTHERWISE SPECIFIED	RENHOTEC GROUP www.renhotec.com				
	PART DESCRIPTION: SMA JACK FOR PCB				
UNLESS OTHERWISE SPECIFIED TOLERANCES FOR MILLIMETERS ARE: 0.5 - 8mm ± 0.20mm 8 - 30mm ± 0.25mm 30 - 120mm ± 0.30mm	Appr: JIM. KING	P/N: RHT-612-0382			
	Check:	Date	Scale	Unit	Type
	Draw: Gavin	2020.06.30	Free	MM	Z