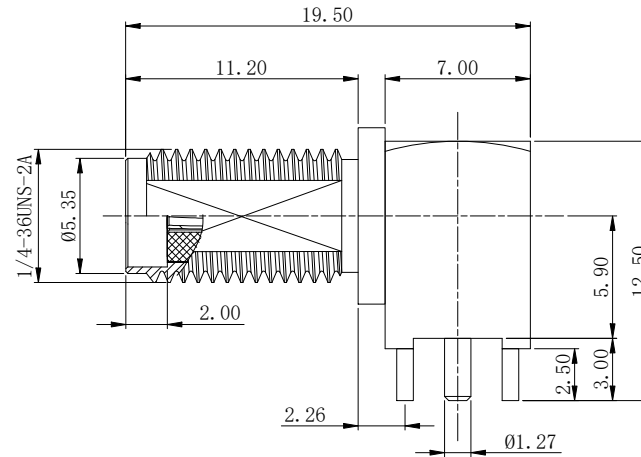
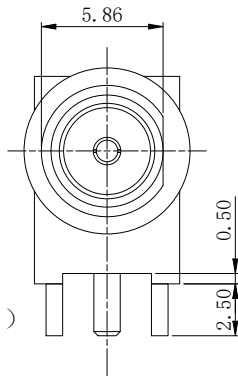
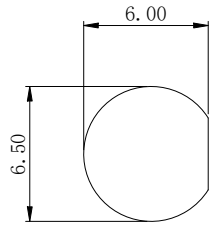
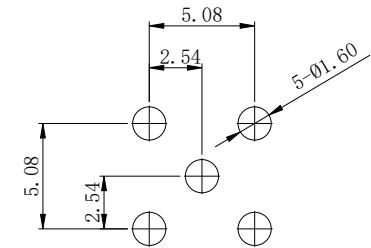
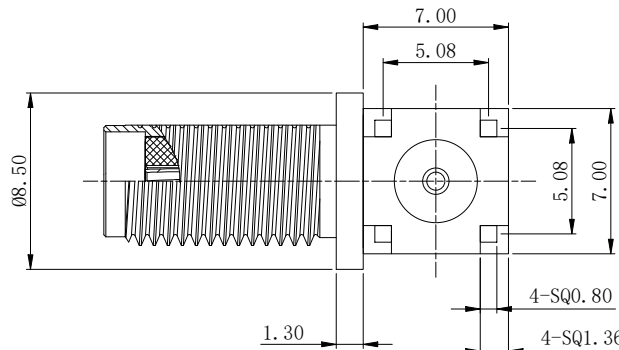
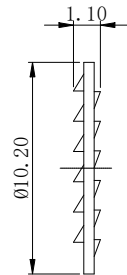
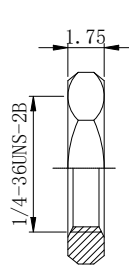




ISSUE	DESCRIPTION	DWN	DATE	APPROVEN
R1.0	First issue	Mr. Wang	2017/03/06	JIM. KING
R2.0	First issue	Gavin	2021/03/11	JIM. KING
R3.0	variation of parameters	Li	2026/02/04	Jason



Recommended hole opening size  
(chassis board thickness: 1.2 ~ 3.0 mm)



Recommended PCB  
hole size

Specifications:  
 IMPEDANCE: 50 Ohms  
 Frequency range: 0~6GHz  
 VSWR: 1.5MAX  
 Voltage Rating: 335 Volts RMS Continuous  
 Dielectric withstand voltage: 1000 V  
 Service life: ≥500  
 Insulation Resistance ≥5000MΩ  
 Center contact resistance: ≤3mΩ  
 Outer contact resistance: ≤2mΩ  
 Operation Temperature: -55℃ ~ +165℃

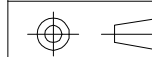
5	Nut	Brass	Gold	1
4	Washer	Iron	Gold	1
3	Center pin	Beryllium copper	Gold	1
2	Insulator	PTFE	NATURE	1
1	Body	Brass	Gold	1
NO	DESCRIPTION	MATERIAL	FINISH	QTY

-TOLERANCES-  
UNLESS OTHERWISE  
SPECIFIED

UNLESS OTHERWISE SPECIFIED  
TOLERANCES FOR MILLIMETERS ARE:  
 0.5 - 8mm ± 0.20mm  
 8 - 30mm ± 0.25mm  
 30 - 120mm ± 0.30mm



**RENHOTEC GROUP**



PART DESCRIPTION:  
SMA R/A Bulkhead Jack PCB Mout

Appr:

P/N: RHT-612-0282

Check: Jason

Date	Scale	Unit	Type	Page
2026.02.04	Free	MM	Z	1/1

Draw: Li