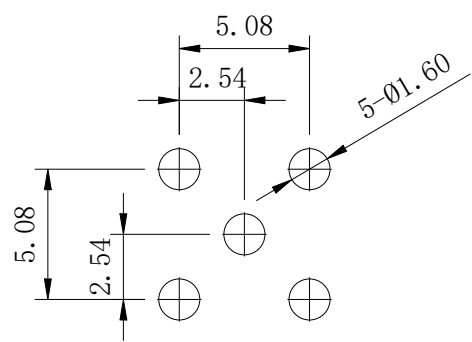
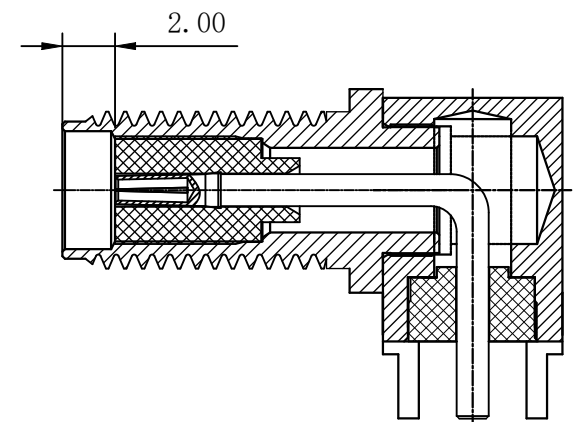
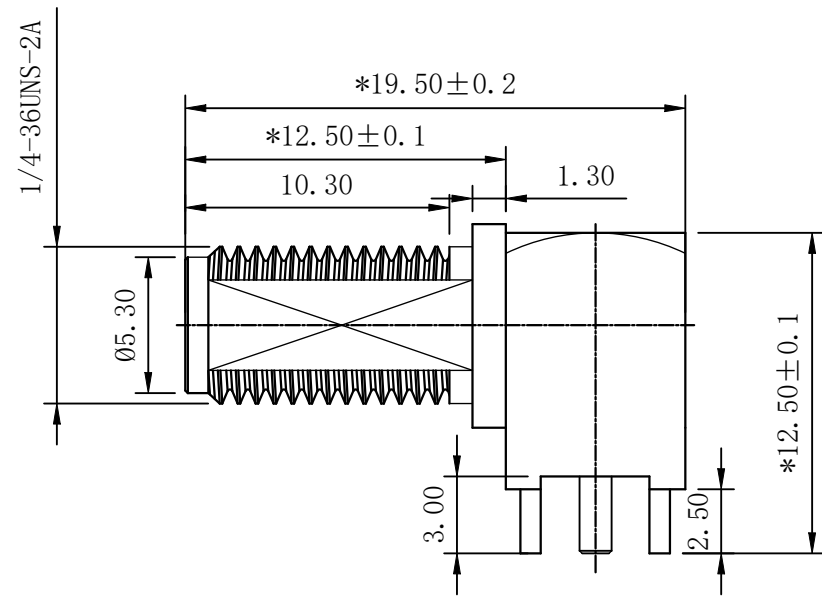
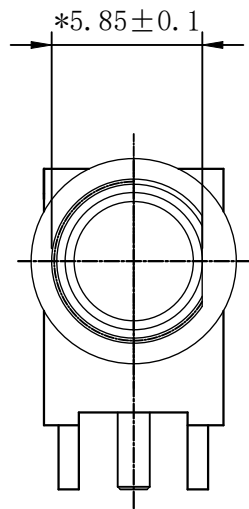
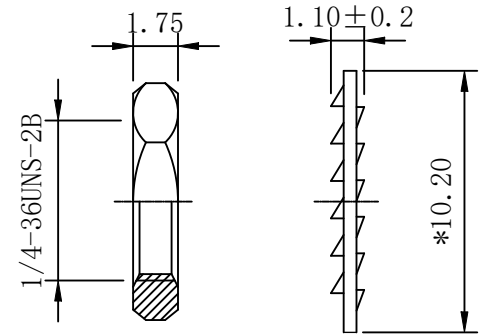
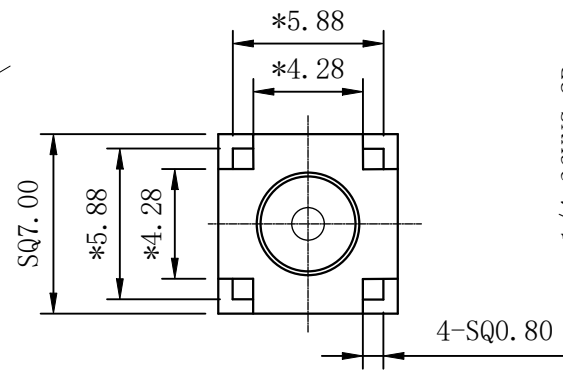




REV	DESCRIPTION	DRAWING	DATE
R1.0	First issue	Li	2026.02.04



Recommended PCB hole size



Specifications:
 IMPEDANCE: 50 Ohms
 Frequency range: 0~6GHZ
 VSWR: 1.5MAX
 Voltage Rating: 335 Volts RMS Continuous
 Dielectric withstand voltage: 1000 V
 Service life: ≥500
 Insulation Resistance ≥5000MΩ
 Center contact resistance: ≤3mΩ
 Outer contact resistance: ≤2mΩ
 Operation Temperature: -55℃ ~ +165℃

5	Nut	Brass	Gold	1
4	Washer	Brass	Gold	1
3	Center pin	Beryllium copper	Gold	1
2	Insulator	PTFE	NATURE	1
1	Body	Brass	Gold	1
NO	DESCRIPTION	MATERIAL	FINISH	QTY

-TOLERANCES- UNLESS OTHERWISE SPECIFIED	RENHOTEC GROUP					
	PART DESCRIPTION: SMA JACK FOR R/A PCB					
UNLESS OTHERWISE SPECIFIED TOLERANCES FOR MILLIMETERS ARE: 0.5 - 6mm ± 0.10mm 6 - 30mm ± 0.20mm 30 - 120mm ± 0.30mm	Appr:	P/N: RHT-612-0281				
	Check: Jason	Date	Scale	Unit	Rev	Page
	Draw: Li	2026.02.04	1:1	MM	R1.0	1/1