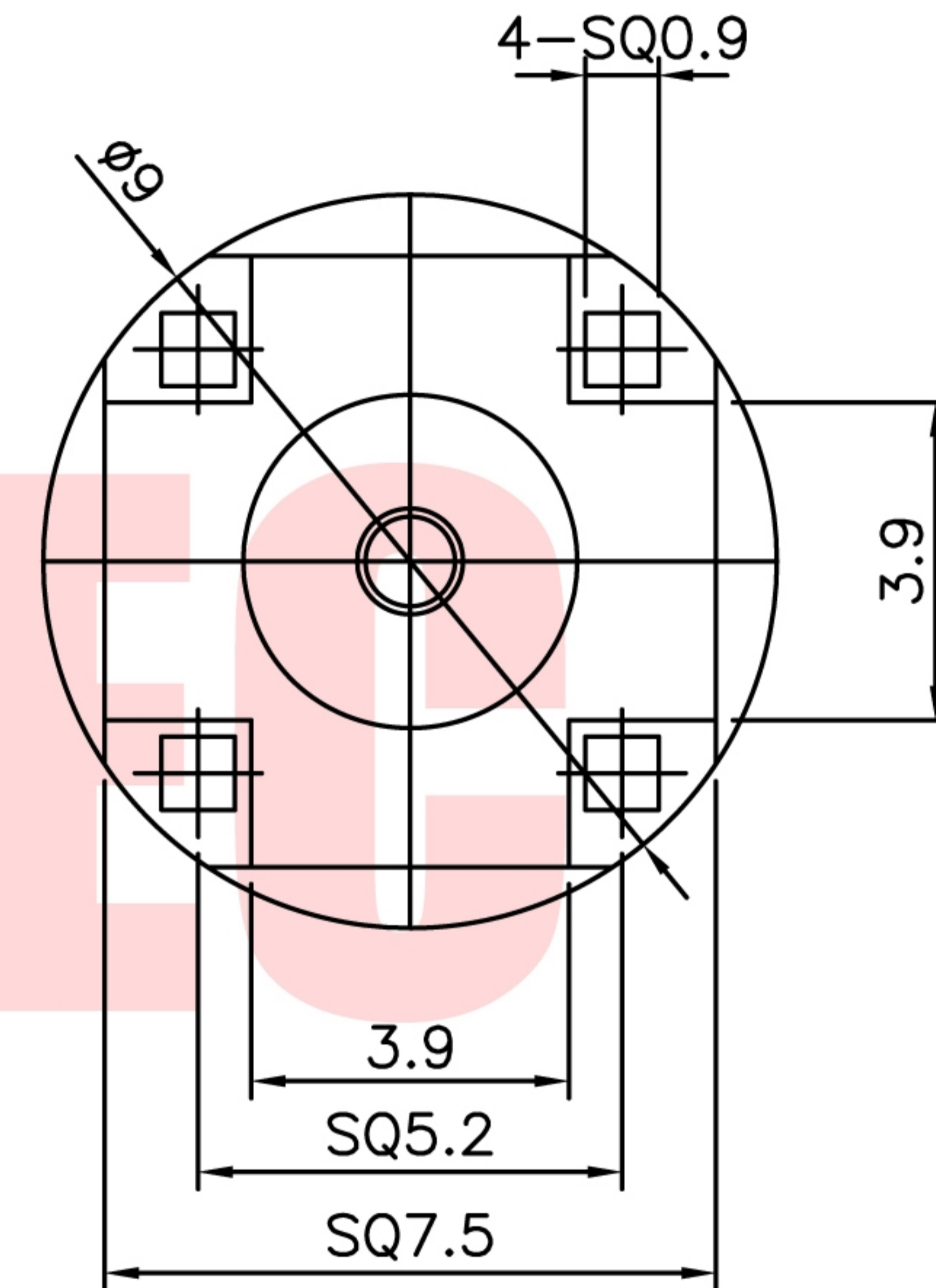
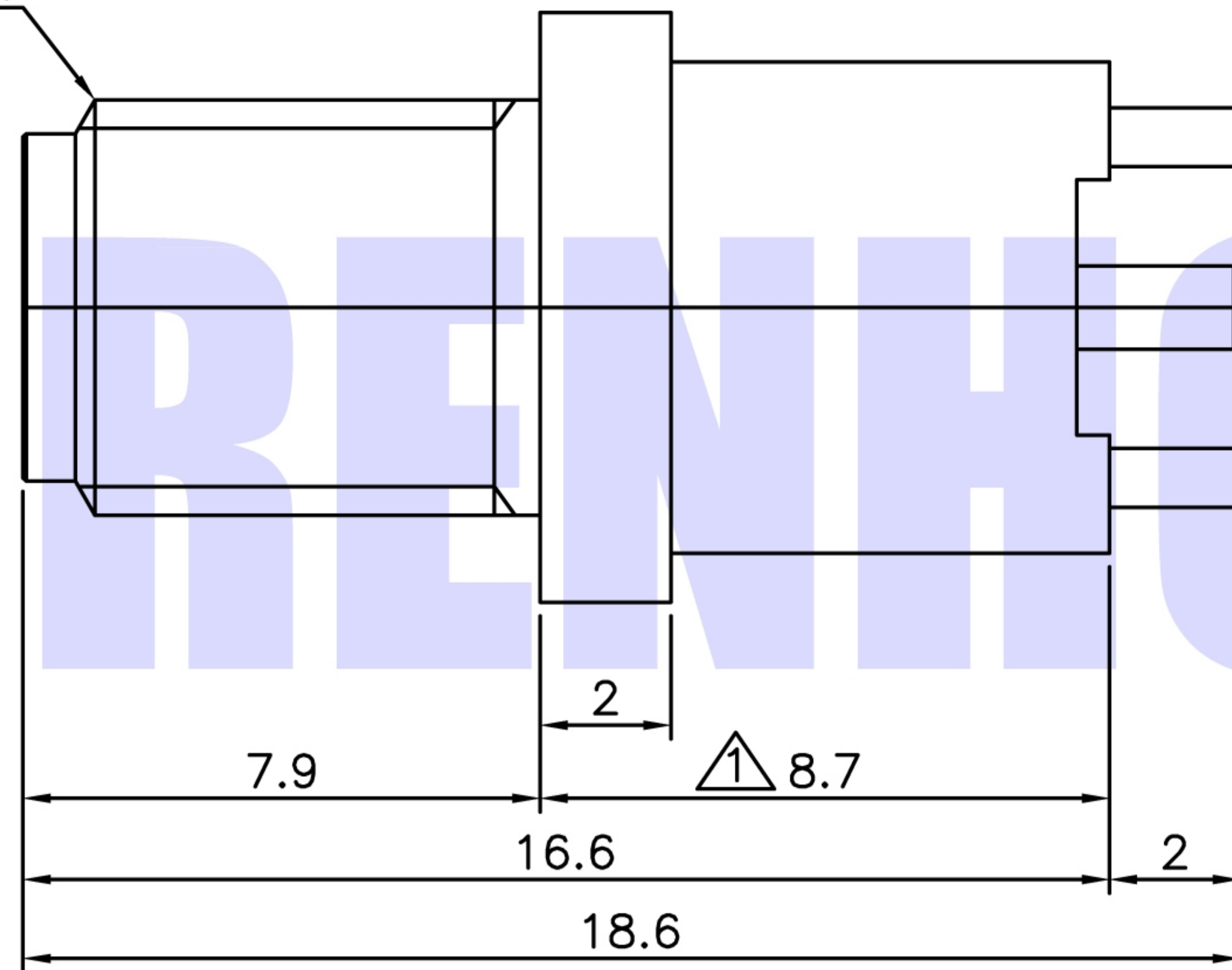




Product NO.	Renhotec-612-0279			
REV	DESCRIPTION	DWN	DATE	APPROVEN
A	First issue	Mr. Wang	2017/3/4	John kine

1/4-36UNS-2A



Connector parts	Materials	Finish
Body	Brass	Gold Plated
Center contact	Beryllium copper	Silver Plated
Insulator	PTFE	-

NOTE:		Tolerance	0-6	±0.10
DRAWN			6-30	±0.20
Zelin. Zhang	2017/3/4	View	30-120	±0.30
CHECKED			Angular	±2°
APPROVALS		UNIT	MM	
John Kine	2017/3/4	SCALE	1:1	



RENHOTECH GROUP

Name: SMA Bulkhead Jack PCB

SIZE	Product NO.	REV
A	RHT-612-0279	B
DateTime	CAD FILE	SHEET: 1 OF 1
2017/3/4	D/company drawings/BD	