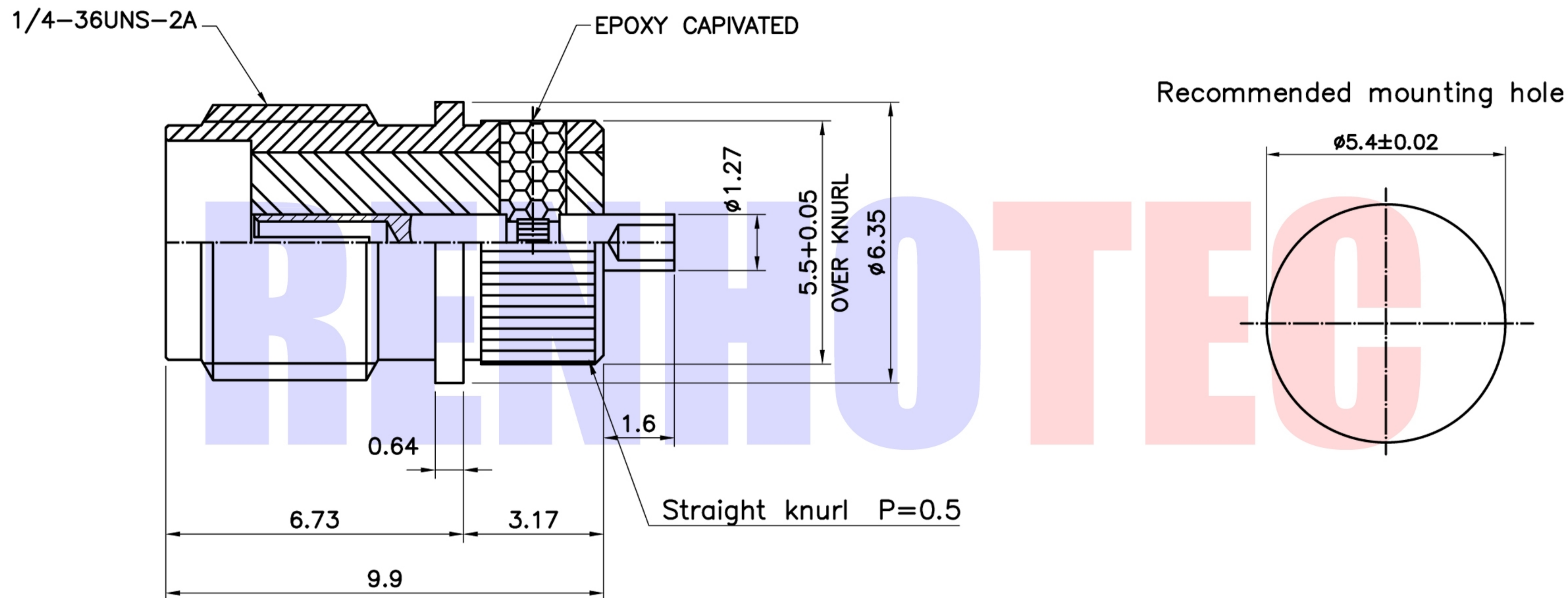




Product NO.	Renhotec-612-0264			
REV	DESCRIPTION	DWN	DATE	APPROVEN
A	First issue	Mr. Wang	2017/3/2	John kine



Item	Materials	Plating
Body	Stainless steel	Gold plated
Center contact	Beryllium copper	Gold plated
Insulator	PTFE	-

NOTE:		Tolerance	0-6 ±0.10
			6-30 ±0.20
			30-120 ±0.30
			Angular ±2°
DRAWN	2017/3/2	View	
Zelin. Zhang			
CHECKED		UNIT	MM
APPROVALS	2017/3/2	SCALE	1:1
John Kine			



RENHOTECH GROUP

Name: SMA Press-IN Jack			
SIZE A	Product NO. RHT-612-0264	REV B	
DateTime 2017/3/2	CAD FILE D/company drawings/BD	SHEET: 1 OF 1	