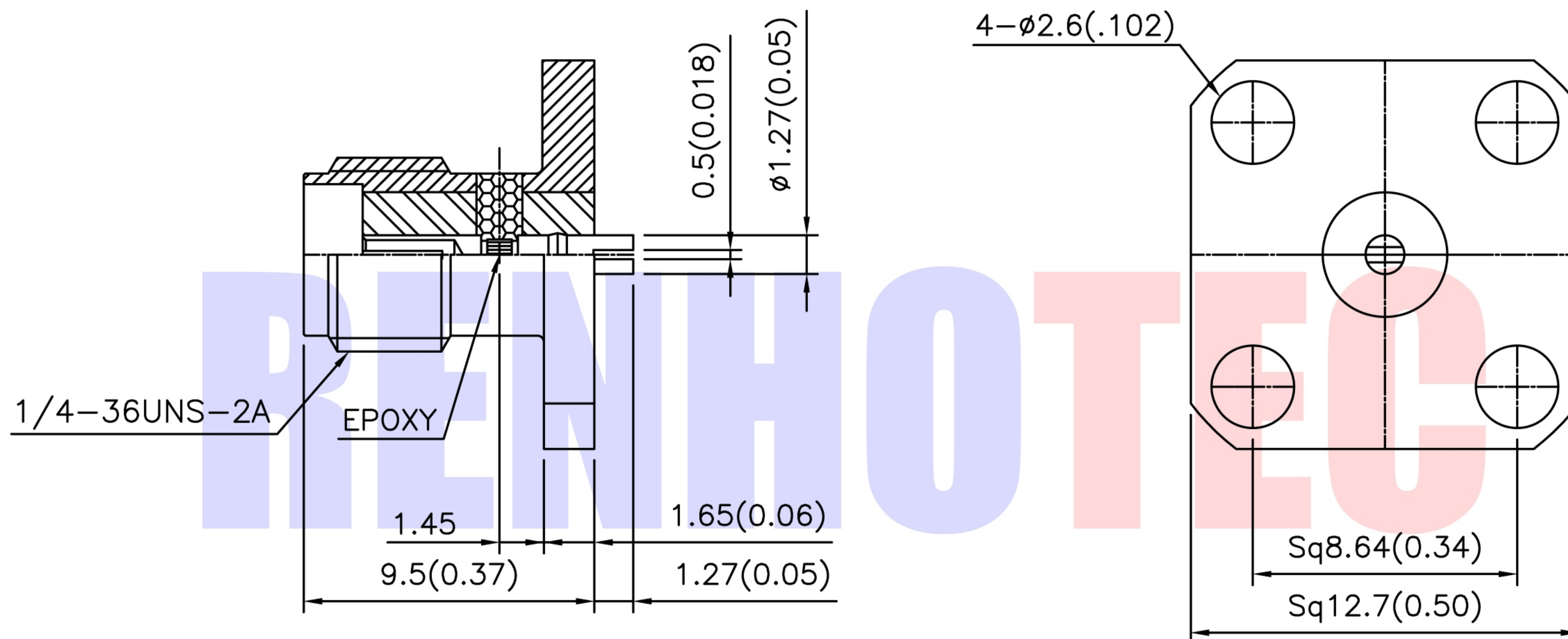




Product NO.	Renhotec-612-0245			
REV	DESCRIPTION	DWN	DATE	APPROVEN
A	First issue	Mr. Wang	2017/3/2	John kine



NOTES:

- INTERFACE PER MIL-STD-348
- MATERIALS
INSULATOR: TEFLON
CENTER CONTACT: BERYLLIUM COPPER
BODY: STAINLESS STEEL 303
- FINISHES
CENTER CONTACT: GOLD PLATE
BODY: PASSIVATED
- CENTER CONTACT TO BE EPOXY CAPTIVATED

SMA-Panel JACK Receptacle
4-Hole/ (SQ 1/2")-SLOT TERMINAL

NOTE:		Tolerance	0-6 ± 0.10 6-30 ± 0.20 30-120 ± 0.30 Angular $\pm 2^\circ$	 www.renhotec.com		
DRAWN	Zelin. Zhang	View				
CHECKED		UNIT	MM	SIZE	Product NO. RHT-612-0245	REV
APPROVALS	John Kine	SCALE	1:1	DateTime	CAD FILE	SHEET: 1 OF 1
	2017/3/2			2017/3/2	D/company drawings/BD	