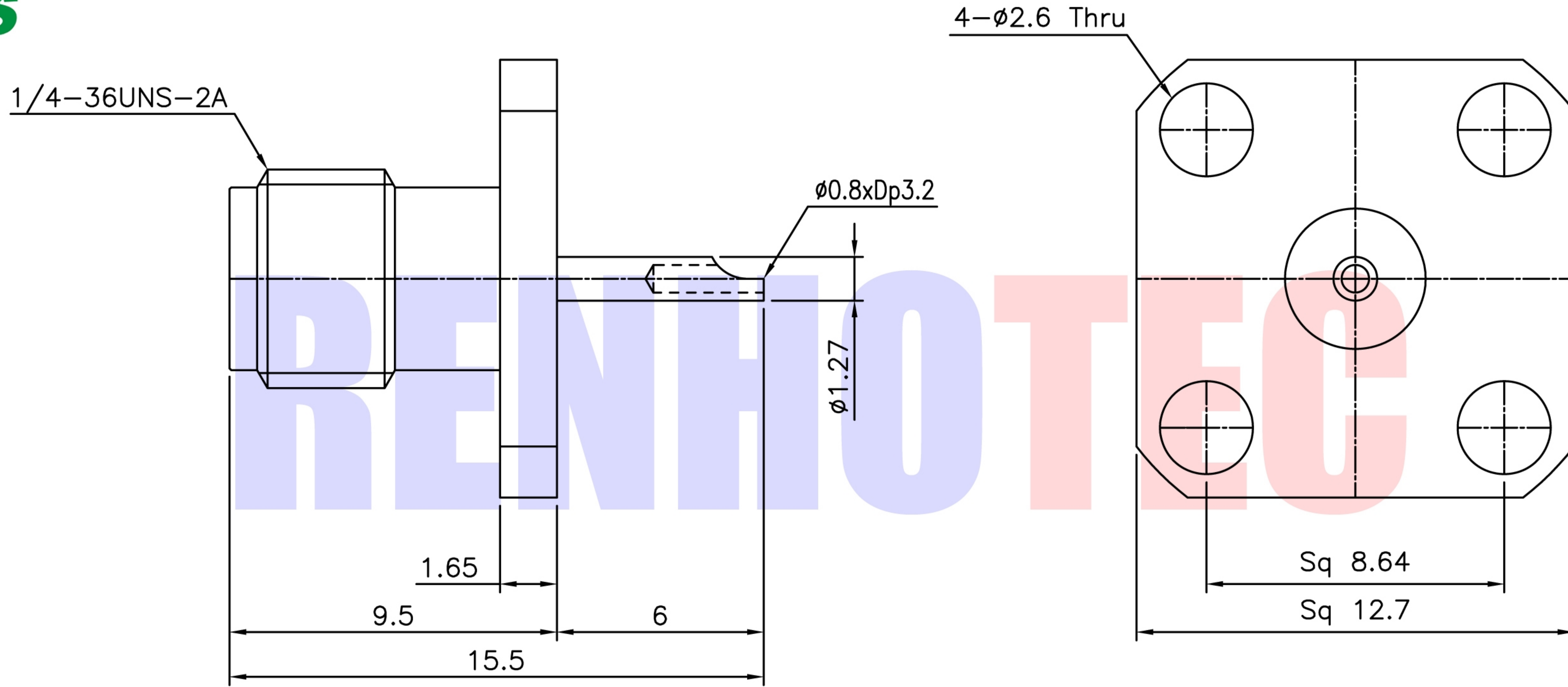




Product NO.	Renhotec-612-0242			
REV	DESCRIPTION	DWN	DATE	APPROVEN
A	First issue	Mr. Wang	2017/3/2	John kine



Connector parts	Materials	Finish
Body	Brass	Gold plated
Center contact	Beryllium copper	Gold plated
Insulator	PTFE	-

NOTE:		Tolerance	0-6 ±0.10 6-30 ±0.20 30-120 ±0.30 Angular ±2°
DRAWN			
Zelin. Zhang	2017/3/2	View	
CHECKED		UNIT	MM
APPROVALS		SCALE	1:1
John Kine	2017/3/2		



RENHOTEC GROUP

Name: SMA 4Hole Panel Launchers, Straight Jack

SIZE	Product NO.	REV
A	RHT-612-0242	B
DateTime	CAD FILE	SHEET: 1 OF 1
2017/3/2	D/company drawings/BD	