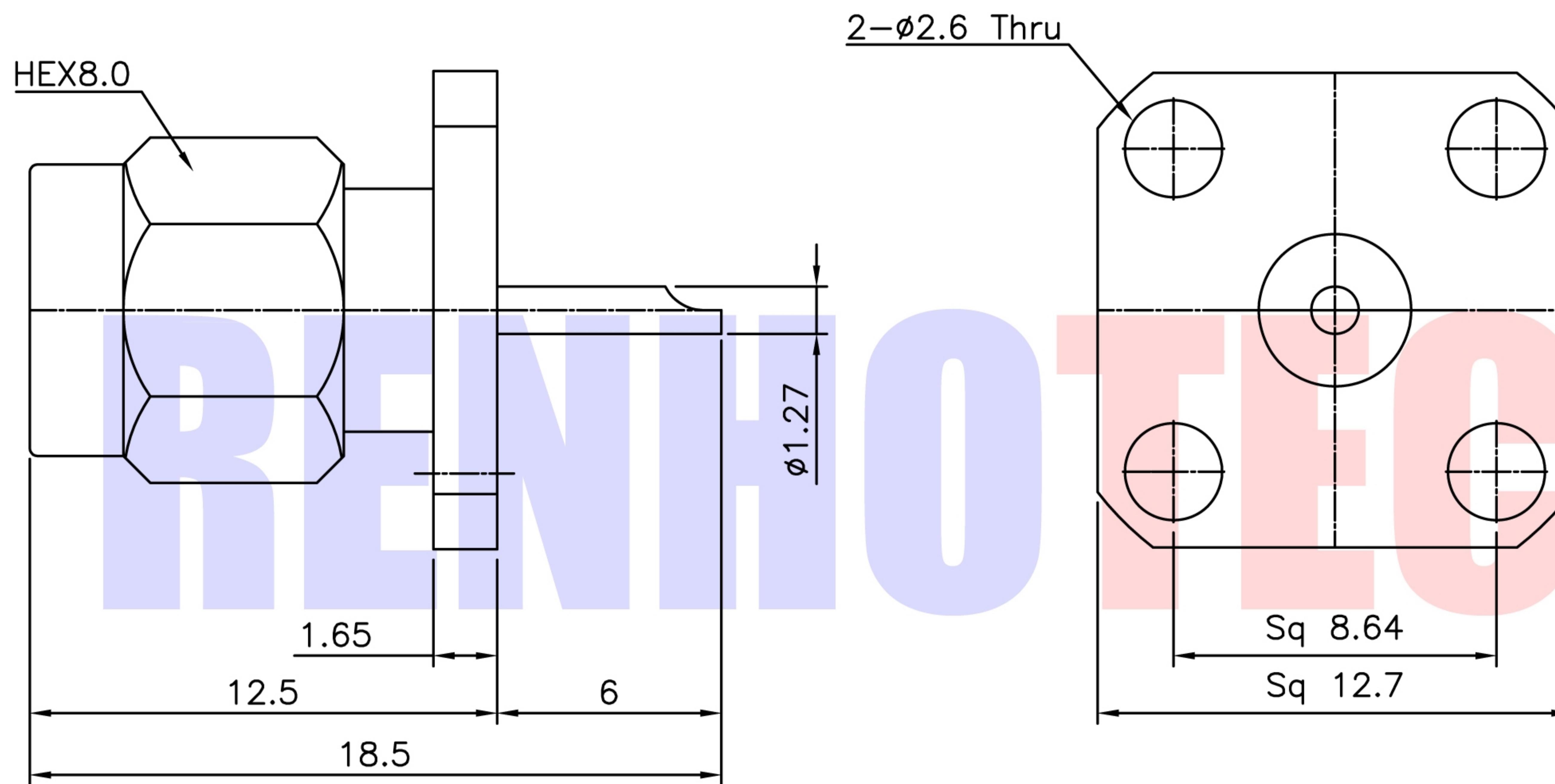




Product NO.	Renhotec-612-0234			
REV	DESCRIPTION	DWN	DATE	APPROVEN
A	First issue	Mr. Wang	2017/3/1	John kine



Connector parts	Materials	Finish
Coupling cap	Brass	Gold plated
Body	Brass	Gold plated
Center contact	Brass	Gold plated
Insulator	PTFE	

NOTE:		Tolerance	0-6	± 0.10	 www.renhotec.com	
			6-30	± 0.20		
			30-120	± 0.30	Name: SMA 4Hole Panel Plug Receptacle	
			Angular	$\pm 2^\circ$	View	
DRAWN	Zelin. Zhang	2017/3/1	UNIT		MM	SIZE A
CHECKED			SCALE		1:1	Product NO. RHT-612-0234
APPROVALS		2017/3/1	DateTime		2017/3/1	REV B
<i>John Kine</i>			CAD FILE		D/company drawings/BD	SHEET: 1 OF 1