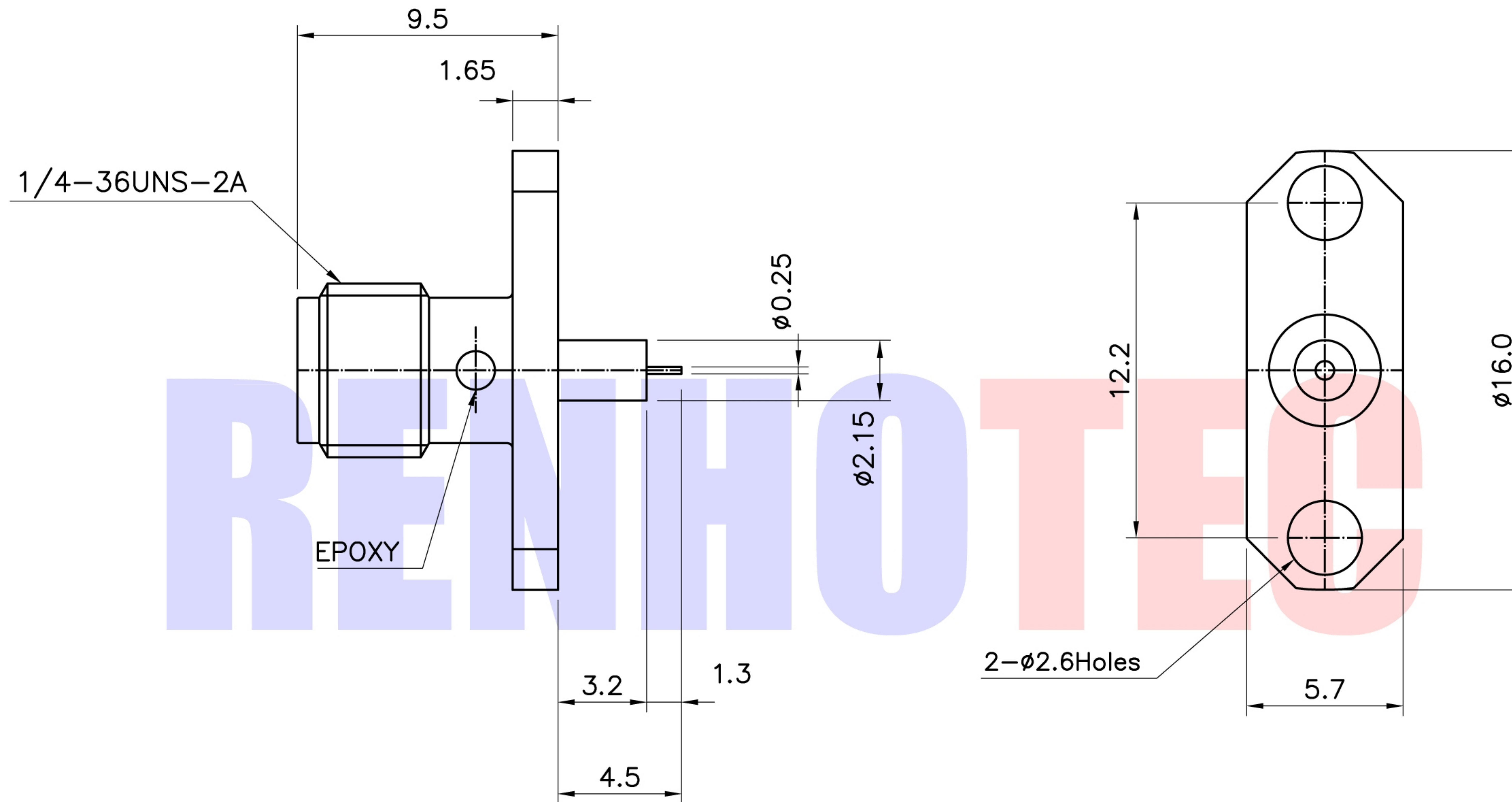




Product NO.	Renhotec-612-0231			
REV	DESCRIPTION	DWN	DATE	APPROVEN
A	First issue	Mr. Wang	2017/3/1	John kine



Connector parts	Materials	Finish
Body	Stainless steel	Gold Plated
Center contact	Beryllium copper	Gold Plated
Insulator	PTFE	-

NOTE:		Tolerance	0-6 ±0.10
			6-30 ±0.20
			30-120 ±0.30
			Angular ±2°
DRAWN	2017/3/1	View	
Zelin. Zhang		UNIT	MM
CHECKED		SCALE	1:1
APPROVALS	2017/3/1		
John Kine			



**RENHOTECH GROUP**

Name: SMA 2Hole Panel Jack Micro Coaxial END Receptacle

SIZE A	Product NO. RHT-612-0231	REV B
DateTime 2017/3/1	CAD FILE D/company drawings/BD	SHEET: 1 OF 1