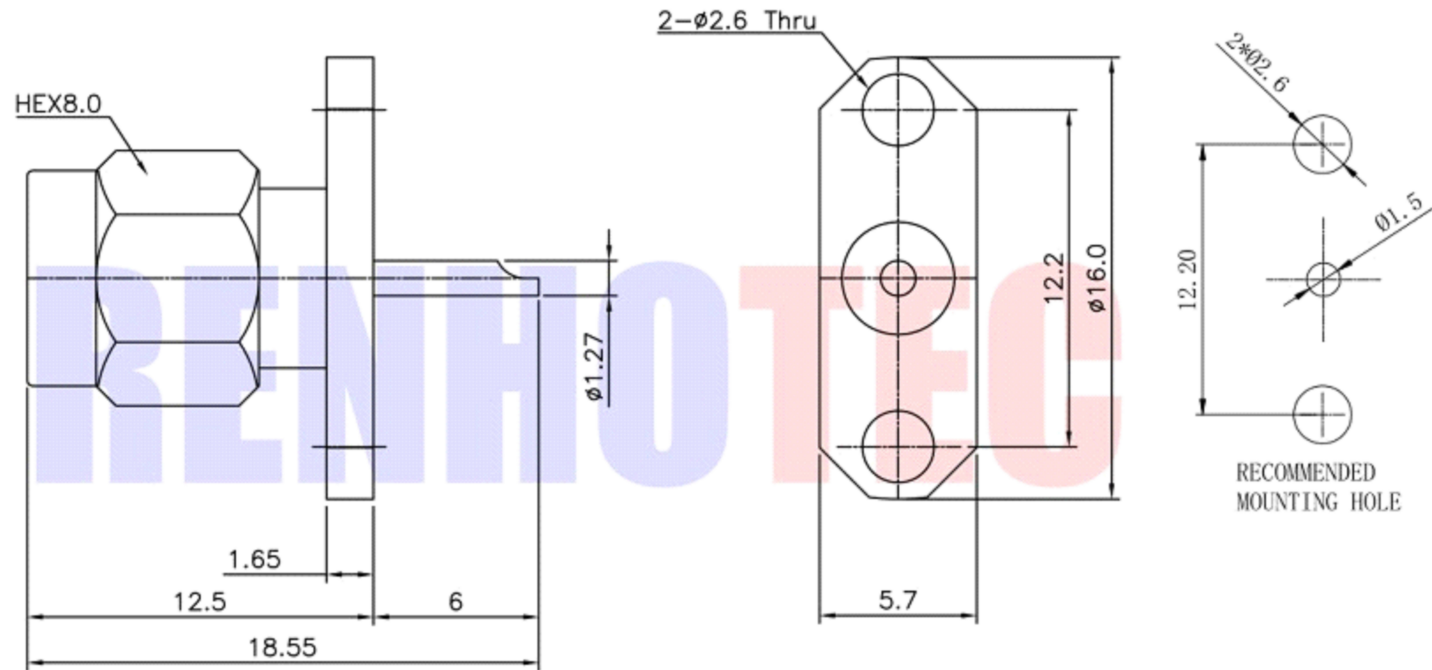




REV	DESCRIPTION	DRAWING	DATE
A	First issue	Mr. Wang	2017/03/01
B	Increase the board opening size	Li	2026/02/04



Connector parts	Materials	Finish
Coupling cap	Brass	Gold plated
Body	Brass	Gold plated
Center contact	Brass	Gold plated
Insulator	PTFE	

Specifications:

IMPEDANCE: 50 Ohms  
 Frequency range: 0~6GHz  
 VSWR: 1.3MAX  
 Voltage Rating: 335 Volts RMS Continuous  
 Dielectric withstand voltage: 1000 V  
 Service life:  $\geq 500$   
 Insulation Resistance  $\geq 5000M\Omega$   
 Center contact resistance:  $\leq 3m\Omega$   
 Outer contact resistance:  $\leq 2m\Omega$   
 Operation Temperature:  $-55^{\circ}\text{C} \sim +165^{\circ}\text{C}$

-TOLERANCES- UNLESS OTHERWISE SPECIFIED	<b>RENHOTEC GROUP</b>						
			PART DESCRIPTION: SMA 2Hole Panel Plug Receptacle				
UNLESS OTHERWISE SPECIFIED TOLERANCES FOR MILLIMETERS ARE: 0.5 - 6mm $\pm 0.10\text{mm}$ 6 - 30mm $\pm 0.20\text{mm}$ 30 - 120mm $\pm 0.30\text{mm}$	Appr:		P/N: RHT-612-0219				
	Check:	Jason	Date	Scale	Unit	Rev	Page
	Draw:	Li	2026.02.04	1:1	MM	R1.0	1/1