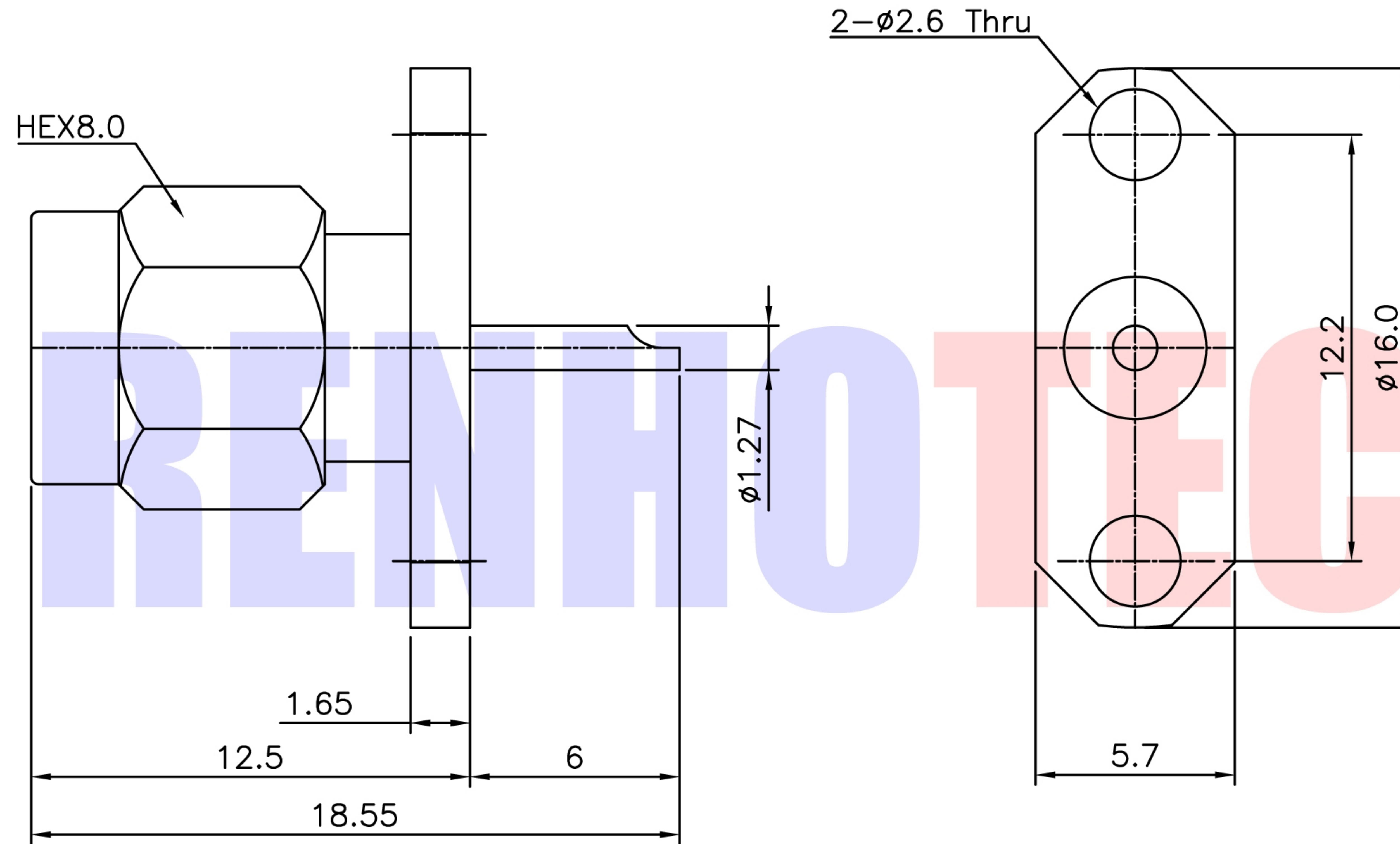




Product NO.	Renhotec-612-0219			
REV	DESCRIPTION	DWN	DATE	APPROVEN
A	First issue	Mr. Wang	2017/3/1	John kine



Connector parts	Materials	Finish
Coupling cap	Brass	Gold plated
Body	Brass	Gold plated
Center contact	Brass	Gold plated
Insulator	PTFE	

NOTE:		Tolerance	0-6	±0.10
DRAWN Zelin. Zhang 2017/3/1			6-30	±0.20
CHECKED		View	30-120	±0.30
APPROVALS <i>John Kine</i> 2017/3/1			Angular	±2°
		UNIT	MM	
		SCALE	1:1	



RENHOTEC GROUP

Name: SMA 2Hole Panel Plug Receptacle

SIZE A	Product NO. RHT-612-0219	REV B
DateTime 2017/3/1	CAD FILE D/company drawings/BD	SHEET: 1 OF 1