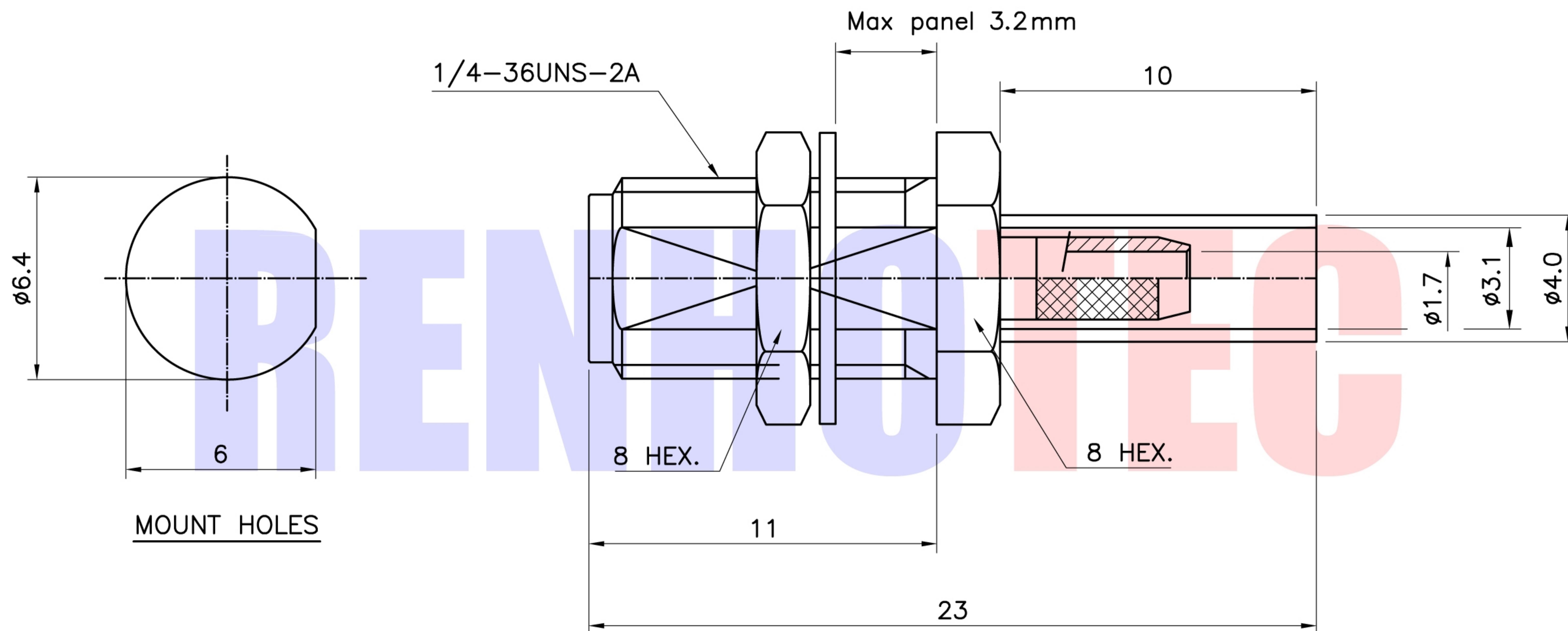




Product NO.	Renhotec-612-0213			
REV	DESCRIPTION	DWN	DATE	APPROVEN
A	First issue	Mr. Wang	2017/3/1	John kine



Connector parts	Materials	Finish
Body ,Nut	Brass	Gold Plated
Center contact	Beryllium copper	Gold Plated
Insulator	PTFE	-
Ferrule	Brass	Gold Plated
Lock washer	Stainless steel	Gold Plated

NOTE :		Tolerance	0-6 ±0.10
			6-30 ±0.20
			30-120 ±0.30
			Angular ±2°
DRAWN		View	
Zelin. Zhang	2017/3/1	UNIT	MM
CHECKED		SCALE	1:1
APPROVALS			
John Kine	2017/3/1		



RENHOTECH GROUP

Name: SMA Bulkhead Jack for Cable RG316, 174

SIZE A	Product NO. RHT-612-0213	REV B
DateTime 2017/3/1	CAD FILE D/company drawings/BD	SHEET: 1 OF 1