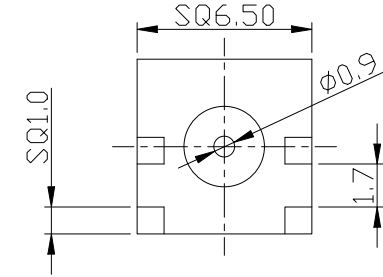
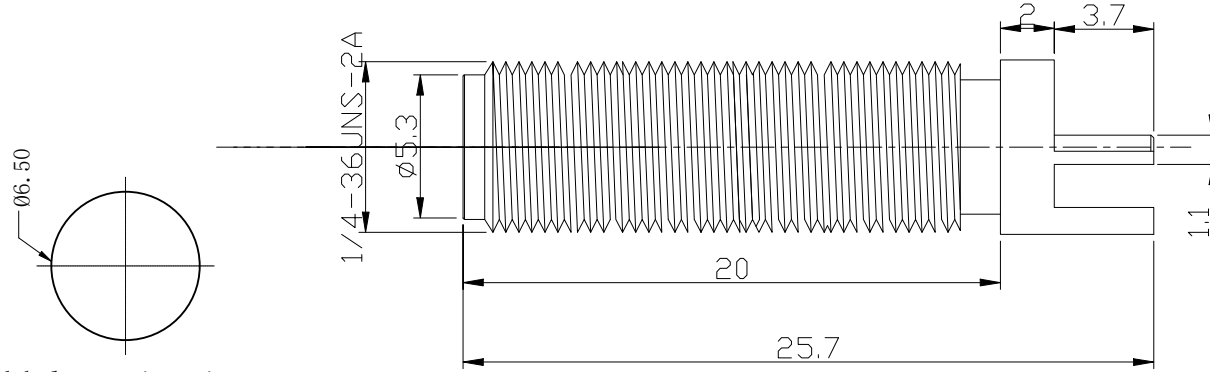
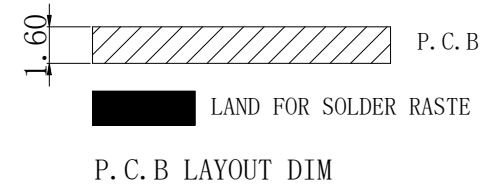
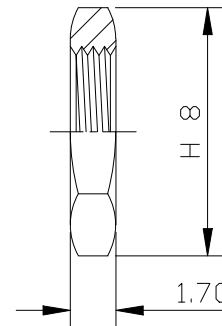
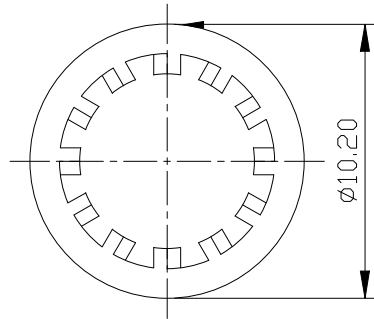
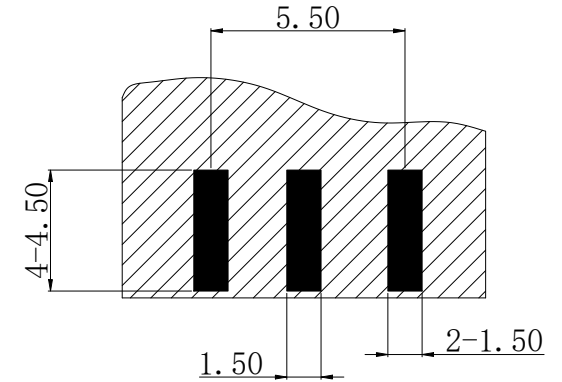
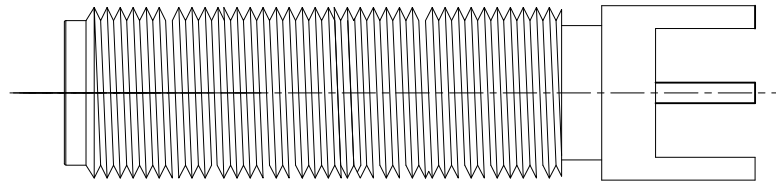




ISSUE	DESCRIPTION	DWN	DATE	APPROVEN
RI.0	First issue	Chen	2017/02/13	JIM. KING
RI.1	variation of parameters	Li	2026/02/04	Jason



Recommended hole opening size
(chassis board thickness: 1.2 ~ 3.0 mm)



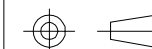
Specifications:
 IMPEDANCE: 50 Ohms
 Frequency range: 0~6GHZ
 VSWR: 1.5MAX
 Voltage Rating: 335 Volts RMS Continuous
 Dielectric withstand voltage: 1000 V
 Service life: ≥500
 Insulation Resistance ≥5000MΩ
 Center contact resistance: ≤3mΩ
 Outer contact resistance: ≤2mΩ
 Operation Temperature: -55℃ ~ +165℃

4	NUT	BRASS	GOLD	1
3	WASHER	BRASS	GOLD	1
2	INSULATOR	PTFE	NATURE	1
1	BODY	BRASS	GOLD	1
NO	DESCRIPTION	MATERIAL	FINISH	QTY

-TOLERANCES-
UNLESS OTHERWISE
SPECIFIED



RENHOTEC GROUP



PART DESCRIPTION:
SMA JACK FOR PCB

UNLESS OTHERWISE SPECIFIED
TOLERANCES FOR MILLIMETERS ARE:
0.5 - 8mm ± 0.20mm
8 - 30mm ± 0.25mm
30 - 120mm ± 0.30mm

Appr:	P/N: RHT-612-0111				
Check: Jason	Date	Scale	Unit	Type	Page
Draw: Li	2026.02.04	Free	MM	Z	1/1