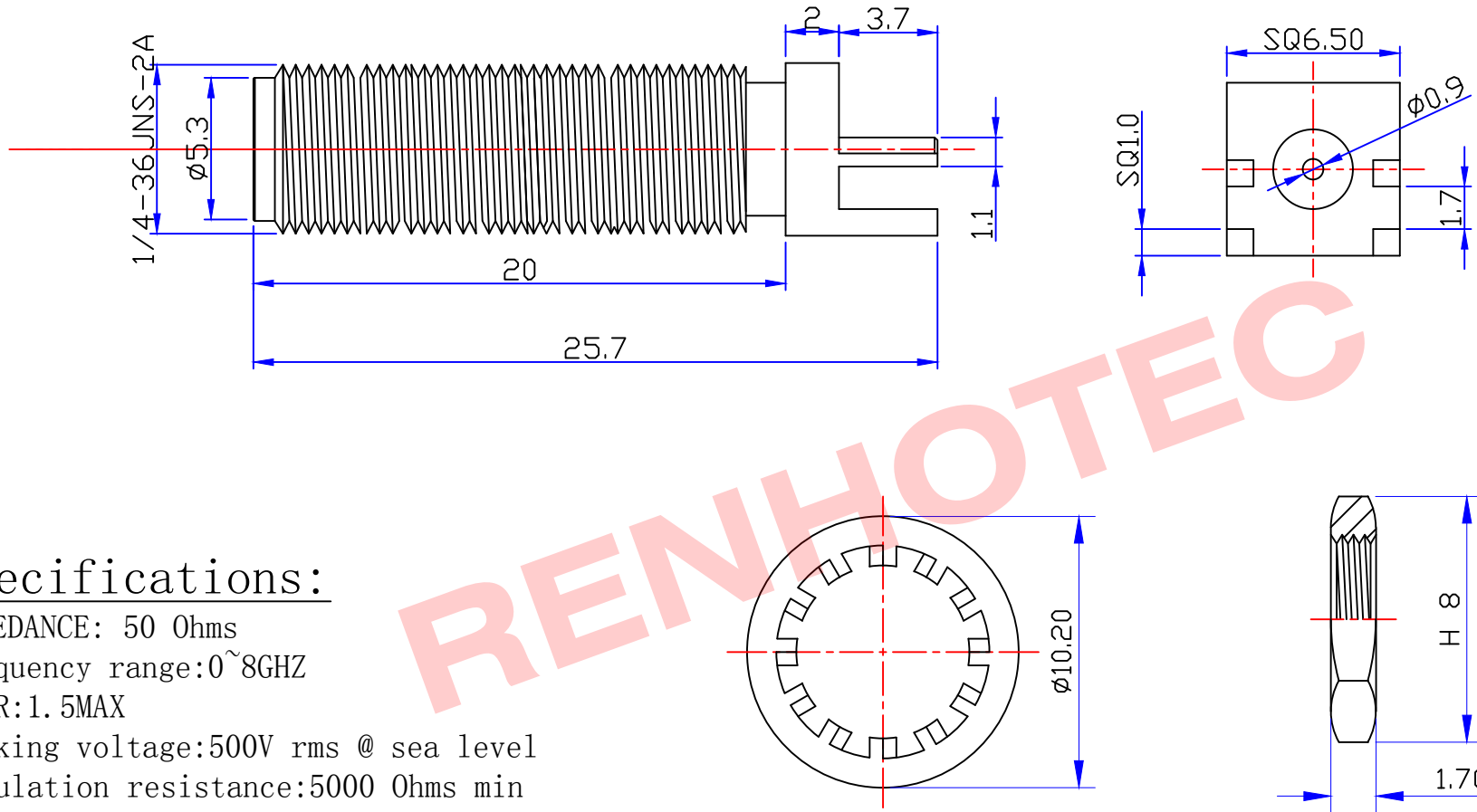




Product NO.	Renhotec-612-0111			
REV	DESCRIPTION	DWN	DATE	APPROVEN
A	First issue	Mr. CHEN	2017/10/24	John kine



### Specifications:

IMPEDANCE: 50 Ohms  
 Frequency range: 0~8GHZ  
 VSWR: 1.5MAX  
 Working voltage: 500V rms @ sea level  
 Insulation resistance: 5000 Ohms min  
 Temperature range: -65°C TO +165°C  
 Relative temperature:  $\leq 95\%$  (40° C  $\pm$  2° C)

RENHOTEC

1	Body	Brass	AU:1-1.5U"
2	Insulator	TEFLON	White
3	Center contact	Phosphor	AU:3u"
4	Washer	Brass	AU:1-1.5U"
5	Nut	Brass	AU:1-1.5U"

NOTE:		Tolerance	0-6	$\pm 0.10$
			6-30	$\pm 0.20$
			30-120	$\pm 0.30$
DRAWN		View	Angular	$\pm 2^\circ$
Zelin. Zhang				
CHECKED		UNIT	MM	
APPROVALS		SCALE	1:1	
John		Date Time		
Kine		24/10.2017		

Name: SMA Jack Stright PCB Mount				
SIZE	Product NO. RENHOTEC-612-0111			REV
A				B
Date Time	CAD FILE	SHEET: 1 OF 1		
2017/10/24	D/company drawings/BD			