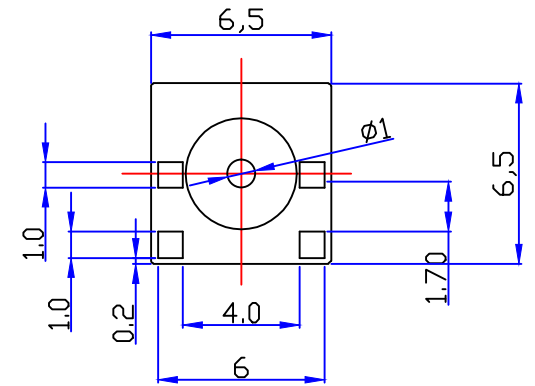
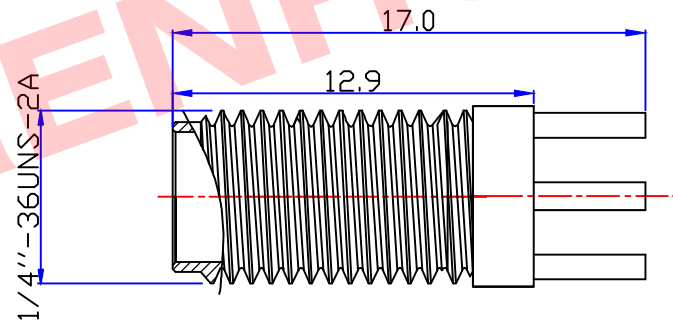
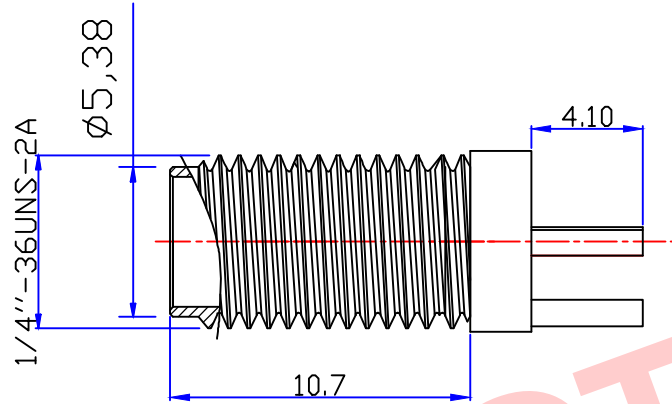


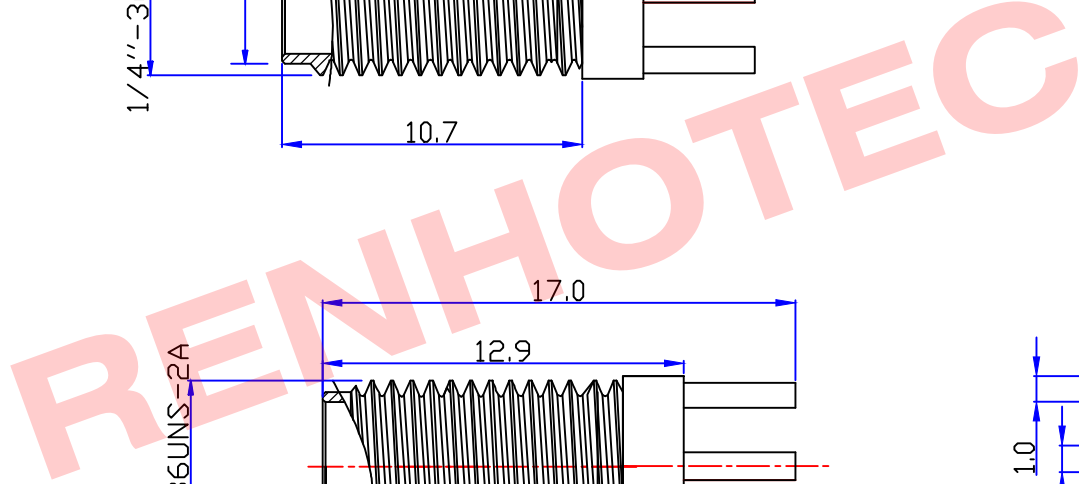


Product NO.	Renhotec-612-0106			
REV	DESCRIPTION	DWN	DATE	APPROVEN
A	First issue	Mr:chen	2017/07/21	John kine



Specifications:

IMPEDANCE: 50 Ohms
 Frequency range: 0~6GHZ
 VSWR: 1.5MAX
 Working voltage: 500V rms @ sea level
 Insulation resistance: 5000 Ohms min
 Temperature range: -65°C TO +165°C
 Relative temperature: ≤95% (40° C ± 2° C)



1	Body	Brass	gold
2	Insulator	TEFLON	White
3	CONTACT PIN	BRASS	gold
4			
5			
6			
7			
8			
9			
10			
NO	Component Number	Material	Finish
1			
2			

NOTE:		Tolerance	0-6	±0.10
			6-30	±0.20
			30-120	±0.30
			Angular	±2°
DRAWN	2017/07/	View		
Zelin.chen	21			
CHECKED		UNIT	MM	
APPROVALS	21/07.2017	SCALE	1:1	
John				
Kine				

www.renhotec.com

RENHOTEC GROUP

Name: SMA JACK FOR PCB

Product NO. RENHOTEC-612-0106

DATE: 2017/7/21

CAD FILE: D/company drawings/BD

SHEET: 1 OF 1