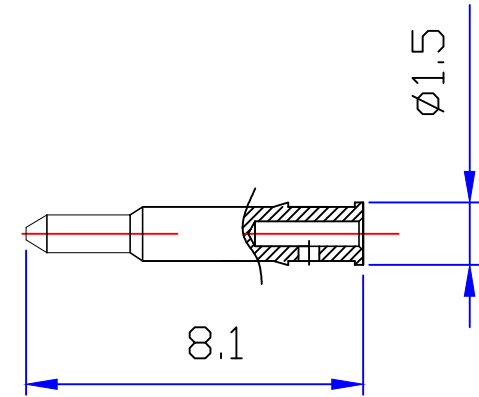
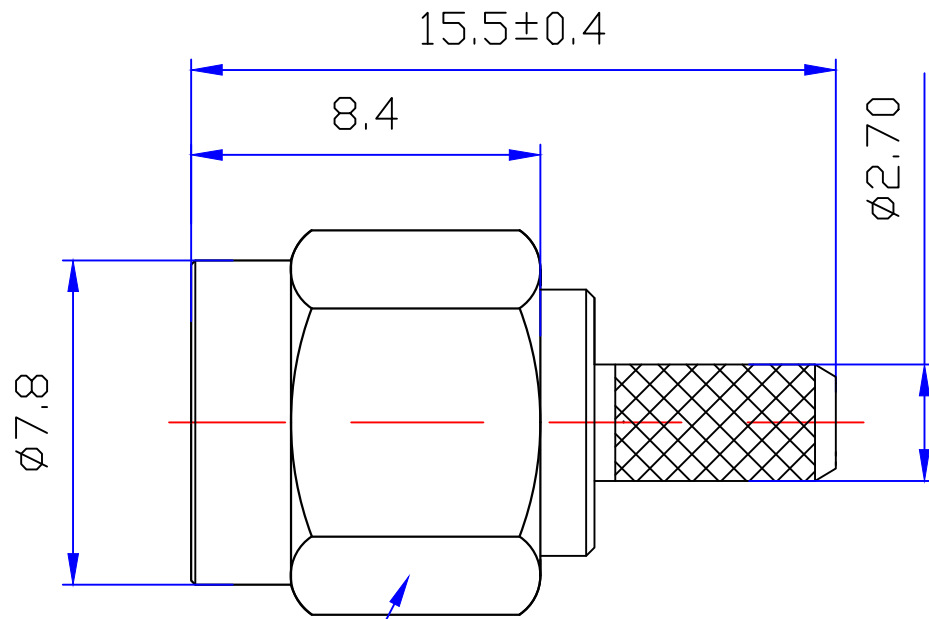




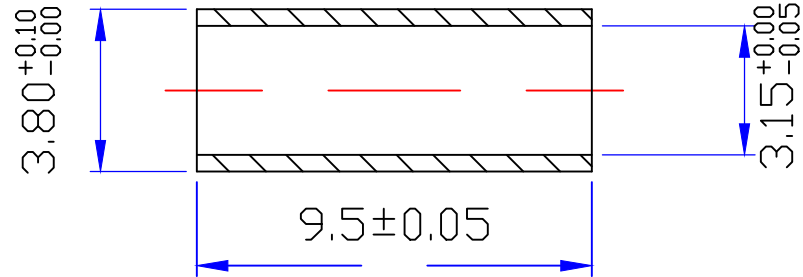
Product NO.	Renhotec-612-0097			
REV	DESCRIPTION	DWN	DATE	APPROVEN
A	First issue	Mr:chen	2017//13	John kine



Specifications:

8 HEX

- IMPEDANCE: 50 Ohms
- Frequency range: 0~6GHZ
- VSWR: 1.5MAX
- Working voltage: 500V rms @ sea level
- Insulation resistance: 5000 Ohms min
- Temperature range: -55°C TO +155°C
- Relative temperature: ≤95% (40° C ± 2° C)



1	Shell	Brass	AU:1-3u"
2	Body	Brass	AU:1-3u"
3	Insulator	TEFLON	None
4	C-Ring	Steel	True Colours
5	Gasket	Silicon	Red
6	Center contact	Brass	AU:5u"
7	Ferrule	Brass	AU:1u"
8			
9			
10			
NO	Component Number	Material	Finish
	1	2	3

NOTE:

DRAWN
Zelin.chen
2017/02/
13

CHECKED

APPROVALS
John
13/02.2017
Kine

Tolerance	0-6 ±0.10 6-30 ±0.20 30-120 ±0.30 Angular ±2°
View	
UNIT	MM
SCALE	1:1



RENHOTEC GROUP

Name: SMA PLUG FOR RG178	
SIZE A	Product NO. RENHOTEC-612-0097
DateTime 2017/2/13	CAD FILE D/company drawings/BD
REV a	SHEET: 1 OF 1