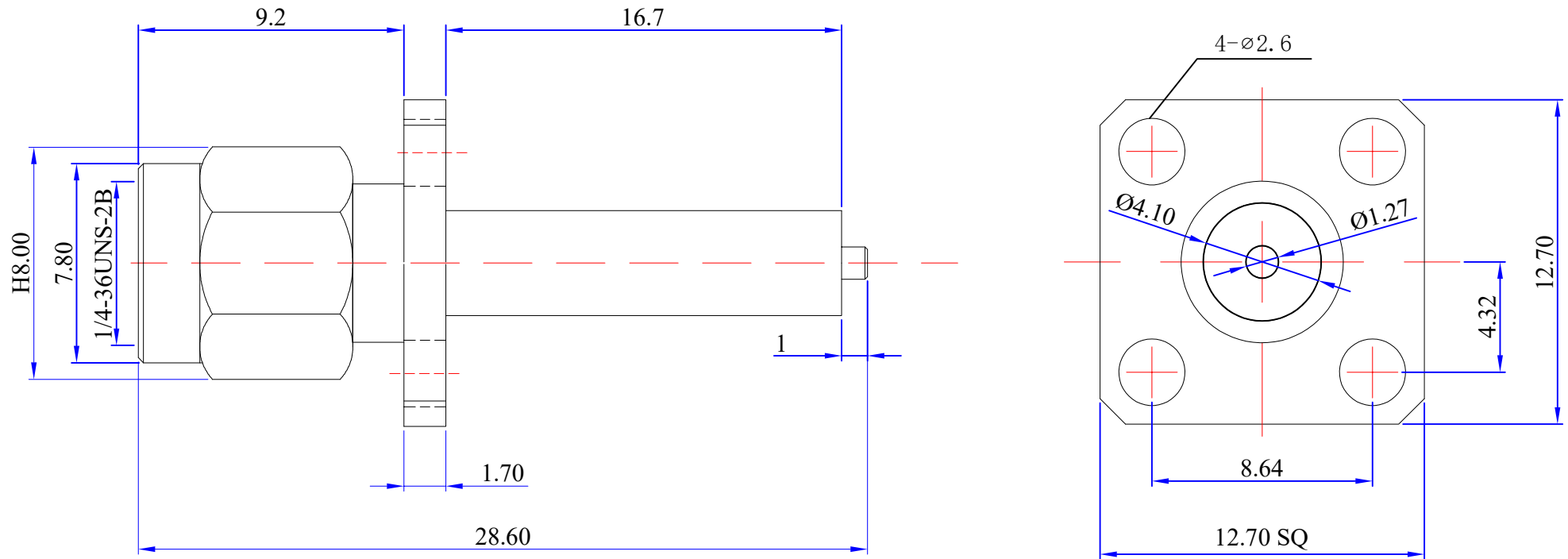




Product NO.		RENHOTEC- -612-0015		
REV	DESCRIPTION	DWN	DATE	APPROVEN
R1.0	First issue	Li jun	2023. 10. 11	JIM. KING



Specifications:

IMPEDANCE: 50 Ohms

Frequency range: 0~6GHZ

VSWR: 1.5MAX

Working voltage : 500Vrms@ sea level

Insulation resistance: 5000 Ohms min

Temperature range: -55° C TO +155° C

Relative humidity: <95% (40° C to 2° C)

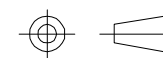
1	Body	Brass	Au:1u"	1
2	Insulator	TEFLON	White	1
3	Center contact	Phosphor	Au:3u	1
4				
5				
6				
7				
8				
9				
NO.	Component Number	Material	Finish	QTY

-TOLERANCES-
UNLESS OTHERWISE
SPECIFIED

UNLESS OTHERWISE SPECIFIED
TOLERANCES FOR MILLIMETERS
ARE:
0.5 - 8mm ± 0.10mm
8 - 30mm ± 0.15mm
30 - 120mm ± 0.20mm



RENHOTEC GROUP



PART DESCRIPTION:
SMA panel PLUG 4-hole square flange mount

Appd: JIM. KING

P/N: RENHOTEC- -612-0015

Check:

Date	Scale	Unit	Type	Page
2023. 10. 11	Free	MM	Z	1/1

Draw: Li jun

2023. 10. 11