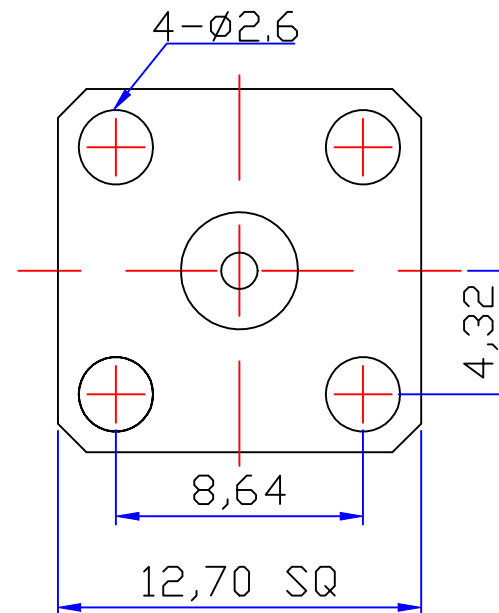
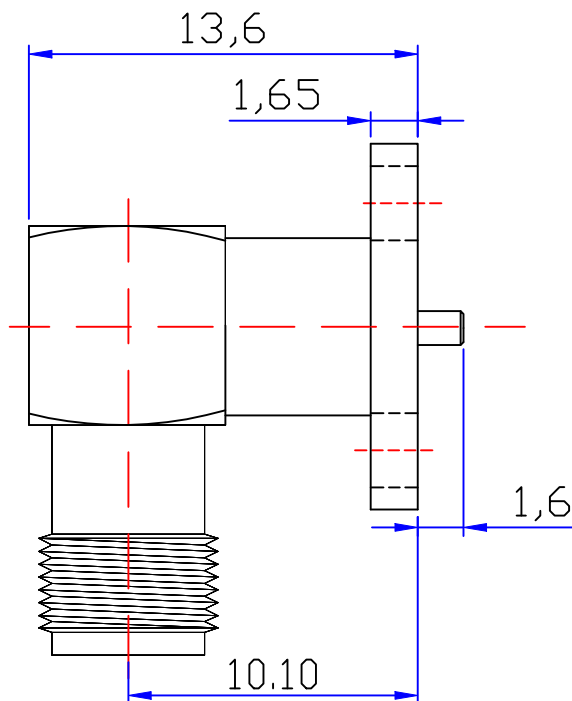




| | | | | |
|-------------|-------------------|--------|-----------|-----------|
| Product NO. | Renhotec-612-0013 | | | |
| REV | DESCRIPTION | DWN | DATE | APPROVEN |
| A | First issue | Mrchen | 2016/4/12 | John kine |



Specifications:

IMPEDANCE: 50 Ohms

Frequency range: 0~6GHZ

VSWR: 1.5MAX

Working voltage: 500V rms @ sea level

Insulation resistance: 5000 Ohms min

Temperature range: -55°C TO +155°C

Relative temperature: ≤95% (40° C ± 2° C)

| | | | |
|----|------------------|----------|---------|
| 1 | Body | Brass | Au: 1u" |
| 2 | Insulator | TEFLON | White |
| 3 | Center contact | Phosphor | Au: 3u" |
| 4 | | | |
| 5 | | | |
| 6 | | | |
| 7 | | | |
| 8 | | | |
| 9 | | | |
| 10 | | | |
| NO | Component Number | Material | Finish |

| | |
|-------------|------------|
| NOTE: | |
| DRAWN | 2016/04/12 |
| Zelin.Zhang | |
| CHECKED | |
| APPROVALS | 12/04.2016 |
| John Kine | |

| | | |
|-----------|---------|-------|
| Tolerance | 0-6 | ±0.10 |
| | 6-30 | ±0.20 |
| View | 30-120 | ±0.30 |
| | Angular | ±2° |
| UNIT | MM | |
| SCALE | 1:1 | |



RENHOTEC GROUP

| | | | |
|---|-----------------------|-------------------|-----|
| Name: SMA panel jack 4-hole square flange mount (R/A) | | | |
| SIZE | Product NO. | RENHOTEC-612-0013 | REV |
| A | | | B |
| DateTime | CAD FILE | SHEET: 1 OF 1 | |
| 2016/4/12 | D/company drawings/BD | | |