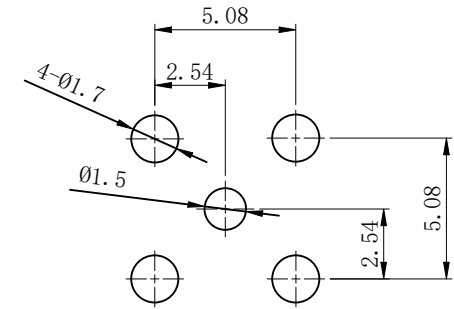
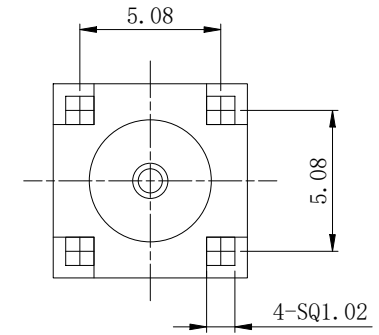
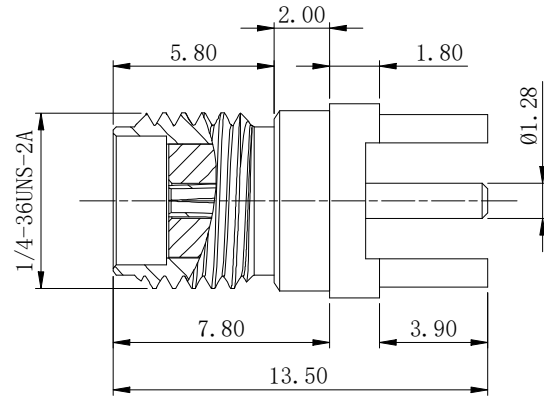
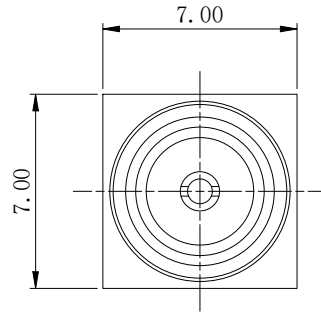




ISSUE	DESCRIPTION	DWN	DATE	APPROVEN
R1.0	First issue	Gavin	2022/11/27	JIM.KING
R1.1	variation of parameters	Li	2026/02/04	Jason



PCB Layout

Specifications:

IMPEDANCE: 50 Ohms
 Frequency range: 0~6GHZ
 VSWR: 1.5MAX
 Voltage Rating: 335 Volts RMS Continuous
 Dielectric withstand voltage: 1000 V
 Service life: ≥500
 Insulation Resistance ≥5000MΩ
 Center contact resistance: ≤3mΩ
 Outer contact resistance: ≤2mΩ
 Operation Temperature: -55°C ~ +165°C

NO	DESCRIPTION	MATERIAL	FINISH	QTY
3	Center contact	Brass	Gold	1
2	Insulator	Ptfe	Nature	1
1	Body	Brass	Gold	1

-TOLERANCES-
UNLESS OTHERWISE
SPECIFIED

UNLESS OTHERWISE SPECIFIED
TOLERANCES FOR MILLIMETERS ARE:
0.5 - 8mm ± 0.20mm
8 - 30mm ± 0.25mm
30 - 120mm ± 0.30mm



PART DESCRIPTION:
SMA JACK FOR PCB CONNECTOR

Appr:	P/N: RHT-612-0008				
Check:	Jason	Date	Scale	Unit	Type
Draw:	Li	2026.02.04	Free	MM	Z
					Page
					1/1