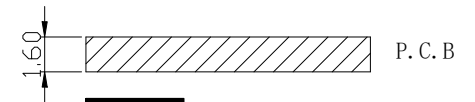
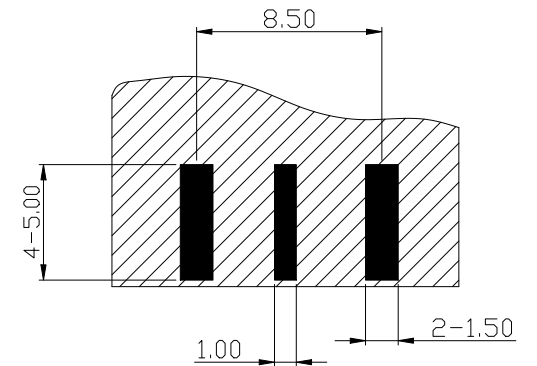
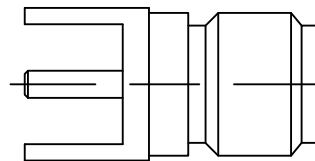
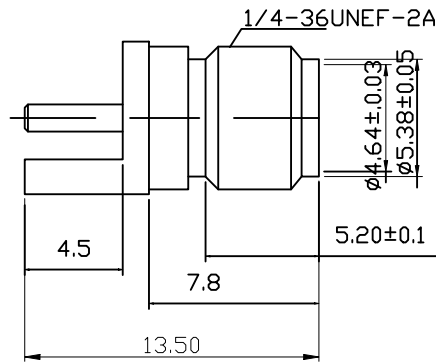
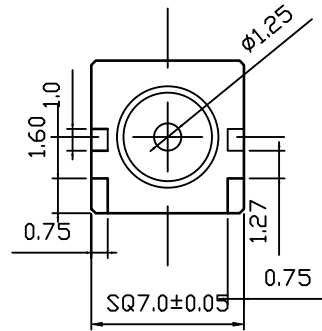




REV	DESCRIPTION	DWN	DATE	APPROVEN
A	Add the assembly schematic diagram	Li	2026/01/31	Jason



LAND FOR SOLDER RASTE

P. C. B LAYOUT DIM

Specifications:

IMPEDANCE: 50 Ohms
 Frequency range: 0~6GHZ
 VSWR: 1.5MAX
 Voltage Rating: 335 Volts RMS Continuous
 Dielectric withstand voltage: 1000 V
 Service life: ≥500
 Insulation Resistance ≥5000MΩ
 Center contact resistance: ≤3mΩ
 Outer contact resistance: ≤2mΩ
 Operation Temperature: -55°C ~ +165°C

3	CONTACT PIN	BRASS	GOLD	1
2	INSULATOR	PTFE	NINE	1
1	BOOY	BRASS	GOLD	1
NO	DESCRIPTION	MATERIAL	FINISH	QTY

-TOLERANCES- UNLESS OTHERWISE SPECIFIED		RENHOTEC GROUP				
UNLESS OTHERWISE SPECIFIED TOLERANCES FOR MILLIMETERS ARE: 0.5 - 6mm ± 0.10mm 6 - 30mm ± 0.20mm 30 - 120mm ± 0.30mm		PART DESCRIPTION: SMA Jack PCB MOUNT				
Appd:		P/N: RHT-612-0007				
Check:	Jason	Date	Scale	Unit	Type	Page
Draw:	Li	2026.01.31	Free	MM	Z	1/1