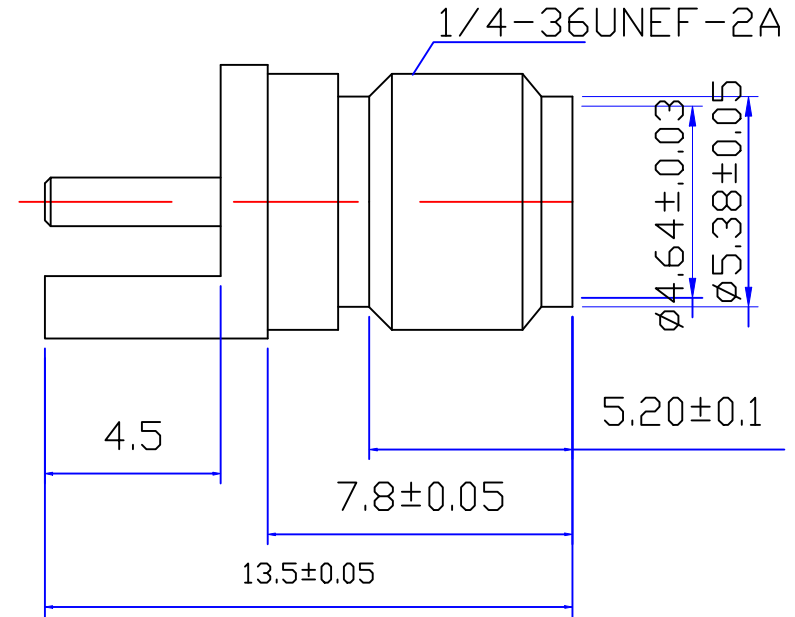
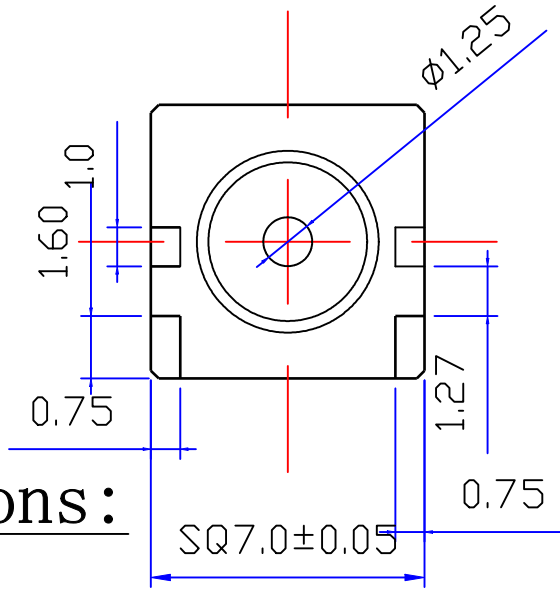




Product NO.	Renhotec-612-0007			
REV	DESCRIPTION	DWN	DATE	APPROVEN
A	First issue	Mr. CHEN	2016/3/25	John kine



Specifications:

IMPEDANCE: 50 Ohms

Frequency range: 0~3GHZ

VSWR: 1.3MAX

Working voltage: 500V rms @ sea level

Insulation resistance: 5000 Ohms min

Temperature range: -65°C TO +165°C

Relative temperature: ≤95% (40° C ± 2° C)

1	Body	Brass	AU: 1-3u"
2	Insulator	TEFLON	None
3	Center contact	Brass	AU: 5u"
4			
5			
6			
7			
8			
9			
10			
NO	Component Number	Material	Finish

NOTE:	
DRAWN	2016/03/25
Zelin. Zhang	
CHECKED	
APPROVALS	29.03.2016
John Kine	

Tolerance	0-6 ±0.10
	6-30 ±0.20
	30-120 ±0.30
	Angular ±2°
View	
UNIT	MM
SCALE	1:1

RENHOTEC GROUP

www.renhotec.com

Name: SMA Jack PCB MOUNT

SIZE A	Product NO. RENHOTEC-612-0007	REV B
DateTime	CAD FILE	SHEET: 1 OF 1
2016/3/25	D/company drawings/BD	