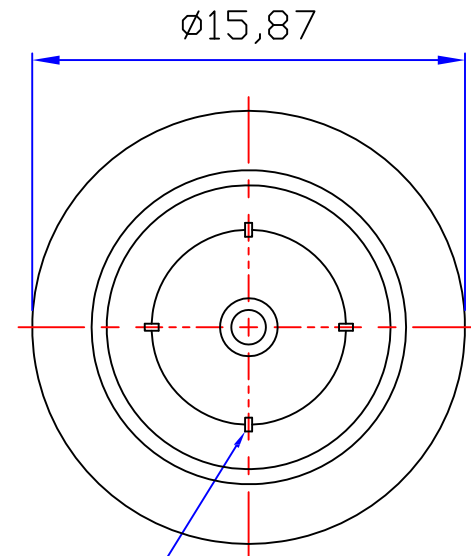
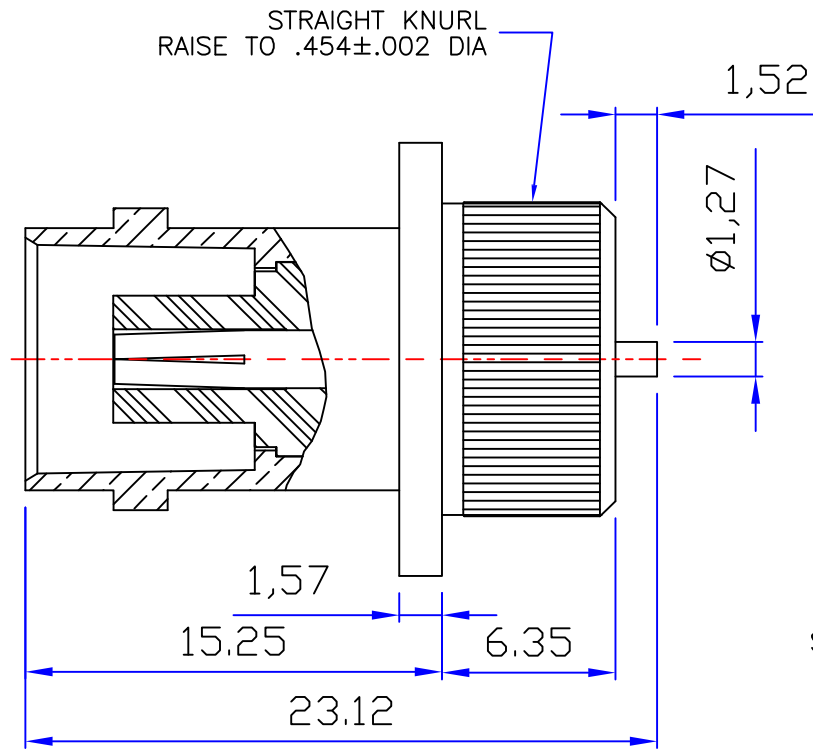




Product NO.		RHT-610-0305			
REV	DESCRIPTION	DWN	DATE	APPROVEN	
A	First issue	SAM	2016/09/21	JIM.KING	



STAKE INSULATOR, 4 PLACES

Specifications:

IMPEDANCE: 50 Ohms

Frequency range: 0~3GHZ

VSWR: 1.5MAX

Working voltage: 500V rms @ sea level

Insulation resistance: 5000 Ohms min

Temperature range: -55°C TO +155°C

Relative temperature: ≤95% (40° C ± 2° C)

1	Body	Brass	NICKEL
2	Insulator	TEFLON	White
3	Center contact	Phosphor	GOLD
NO	Component Number	Material	Finish

-TOLERANCES- UNLESS OTHERWISE SPECIFIED		RENHOTEC GROUP					
		Title: BNC JACK CONNECTOR					
0. ±.20	0.° ±3.0°	Appd:	P/N: RHT-610-0305				
0.0 ±.15	0.0° ±2.5°	Check: <i>Xiong Tan</i>	Date	Scale	Unit	Type	Page
0.00 ±.10	0.00° ±2.0°	Draw.: <i>Dwen</i>	2016.09.21	Free	MM	Z	1/1