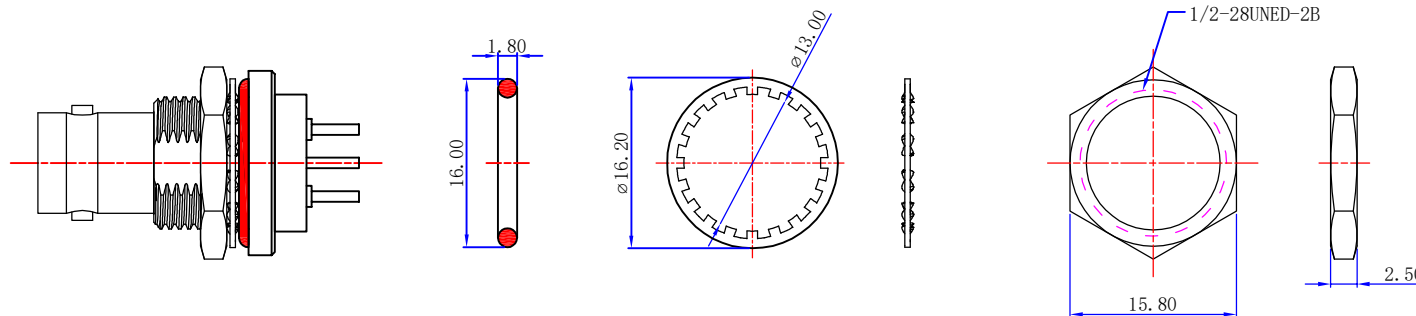
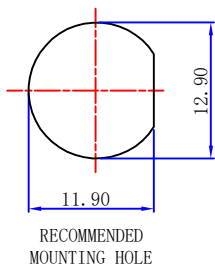
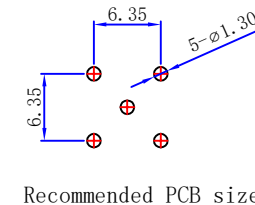
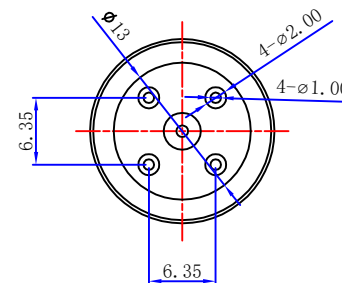
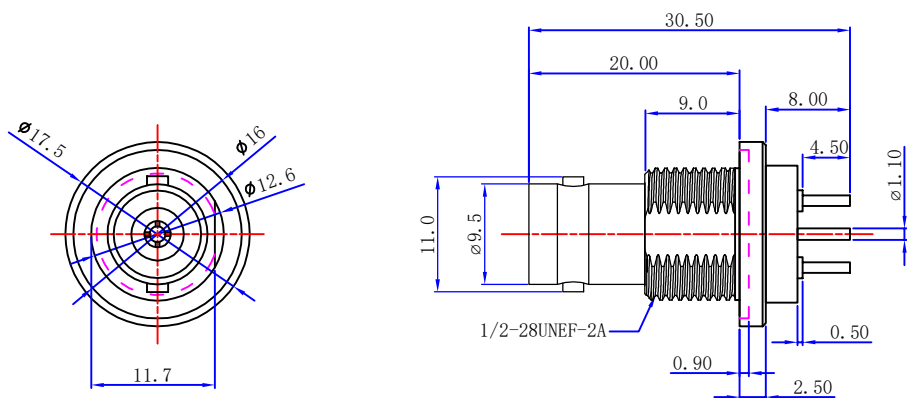




Product NO.		RHT-610-0225		
REV	DESCRIPTION	DWN	DATE	APPROVEN
R1.0	First issue	Mr. Wang	2017/02/23	JIM. KING
R2.0	Increase electrical parameters, detailed dimensions	Gavin	2020/12/17	JIM. KING



Specifications

Impedance: 50 Ohms
 Frequency Range: DC~6G
 VSWR: 1.5MAX
 Working Voltage: 500V rms @ sea level
 Insulation Resistance: 5000 MOhms min
 Temperature Range: -55°C TO +165°C

6	Nut	Brass	Nickel	1
5	Washer	Iron	Nickel	1
4	O-Ring	Rubber	Red	1
3	PIN	Brass	Gold	1
2	Insulator	PTFE	NONE	1
1	Booy	Brass	Nickel	1
NO	DESCRIPTION	MATERIAL	FINISH	QTY

-TOLERANCES- UNLESS OTHERWISE SPECIFIED UNLESS OTHERWISE SPECIFIED TOLERANCES FOR MILLIMETERS ARE: 0.5 - 8mm ± 0.20mm 8 - 30mm ± 0.25mm 30 - 120mm ± 0.30mm	RENHOTEC GROUP www.renhotec.com		PART DESCRIPTION: BNC Jack PCB Mount Bulkhead			
	Appd: JIM. KING Check: Draw: Gavin	P/N: RHT-610-0225 Date: 2020. 12. 17		Scale: Free	Unit: MM	Type: Z Page: 1/1