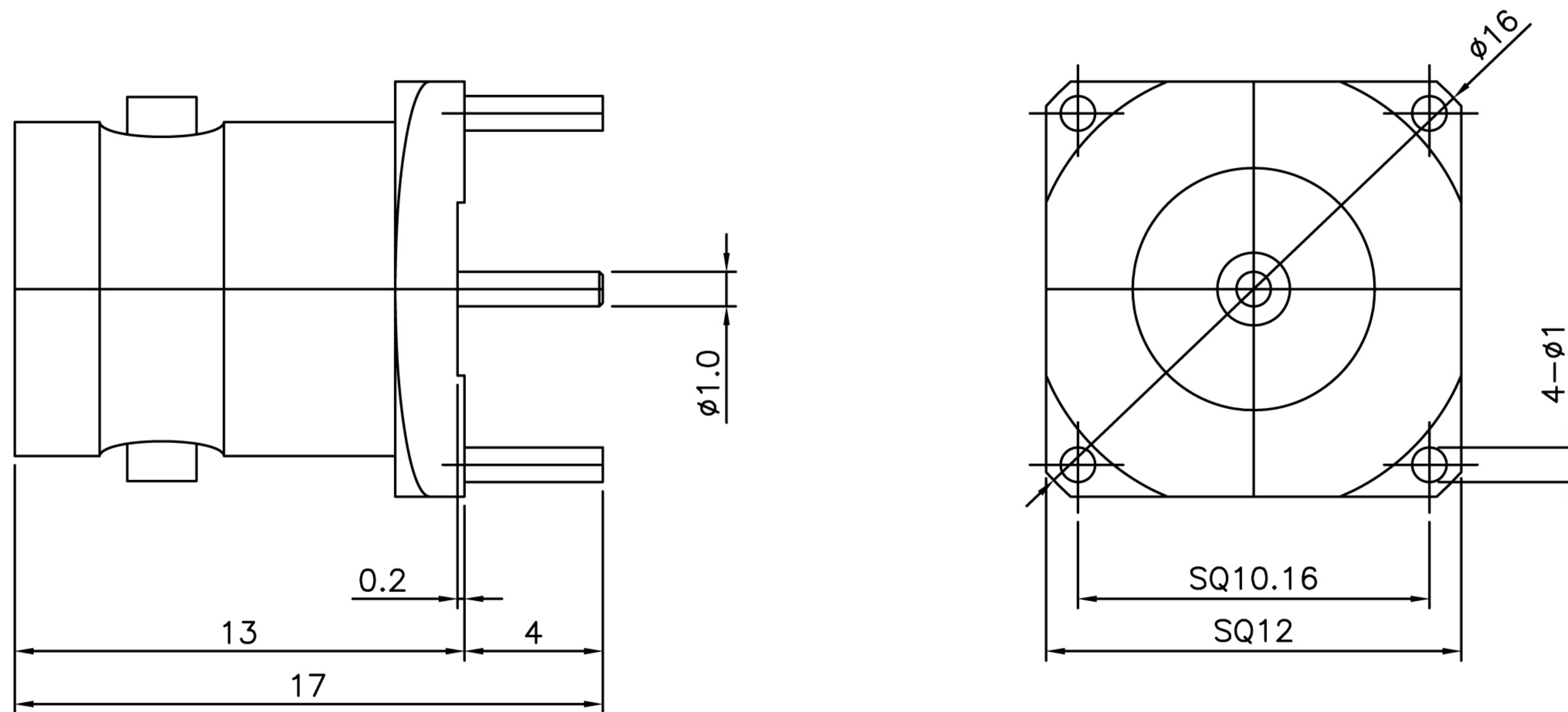




Product NO.	Renhotec-610-0224			
REV	DESCRIPTION	DWN	DATE	APPROVEN
A	First issue	Mr. Wang	2017/2/23	John kine



Item	Materials	Plating
Body	Brass	Gold Plated
Center contact	Beryllium copper	Gold Plated
Insulator	PTFE	-

NOTE:		Tolerance	0-6	± 0.10
DRAWN Zelin. Zhang			6-30	± 0.20
2017/2/23		View	30-120	± 0.30
CHECKED			Angular	$\pm 2^\circ$
APPROVALS <i>John Kine</i>		UNIT	MM	
2017/2/23		SCALE	1:1	



RENHOTEC GROUP

Name: Gold Plated BNC Female for PCB Mount

SIZE A	Product NO. RHT-610-0224	REV B
DateTime 2017/2/23	CAD FILE D/company drawings/BD	SHEET: 1 OF 1