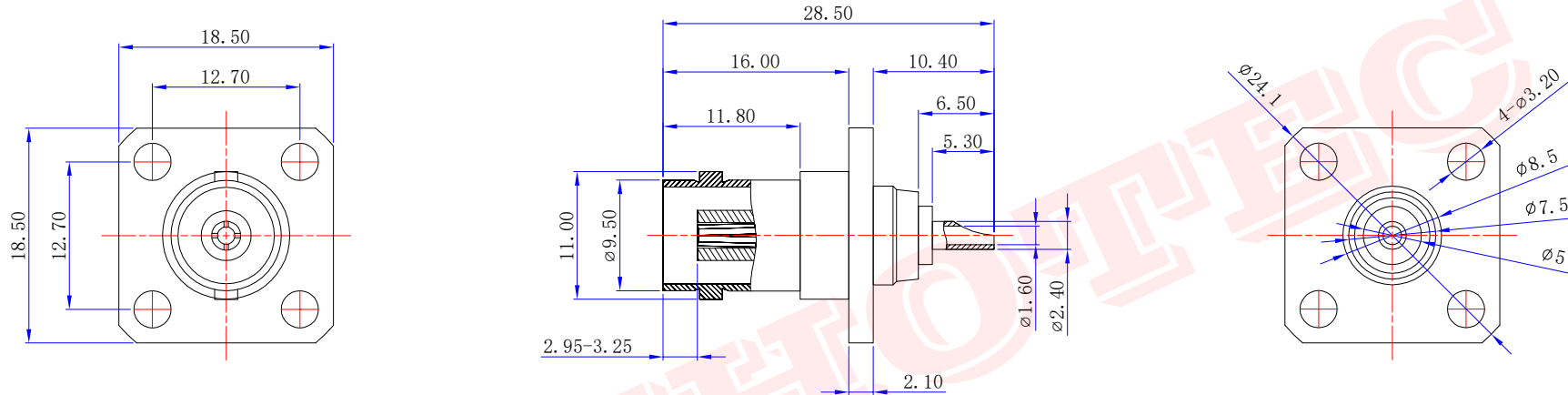




Product NO.

RHT-610-0222

REV	DESCRIPTION	DWN	DATE	APPROVEN
R1.0	First issue	Mr. Wang	2017/02/23	JIM. KING
R2.0	Change the size according to the product	Gavin	2022/05/23	JIM. KING



**Specifications**

Impedance:50 Ohms  
 Frequency Range:DC~3G  
 VSWR:1.5MAX  
 Working Voltage:500V rms @ sea level  
 Insulation Resistance:5000 MOhms min  
 Temperature Range:-55°C TO +165°C

3	Center pin	Brass	Gold	1
2	Insulating	PTFE	NONE	1
1	BODY	Brass	Gold	1
NO	DESCRIPTION	MATERIAL	FINISH	QTY

-TOLERANCES-  
UNLESS OTHERWISE  
SPECIFIED



**RENHOTEC GROUP**



PART DESCRIPTION:  
BNC Jack Connector

UNLESS OTHERWISE SPECIFIED  
TOLERANCES FOR MILLIMETERS ARE:  
0.5 - 8mm ± 0.20mm  
8 - 30mm ± 0.25mm  
30 - 120mm ± 0.30mm

Appd: JIM. KING

P/N: RHT-610-0222

Check:

Date

Scale

Unit

Type

Page

Draw:

Gavin

2022.05.23

Free

MM

Z

1/1