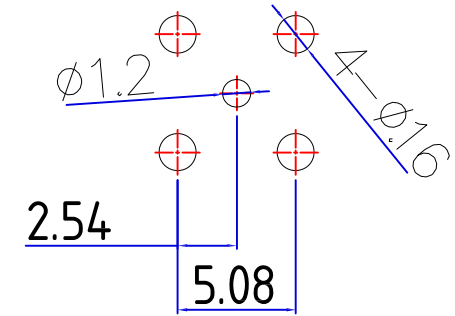
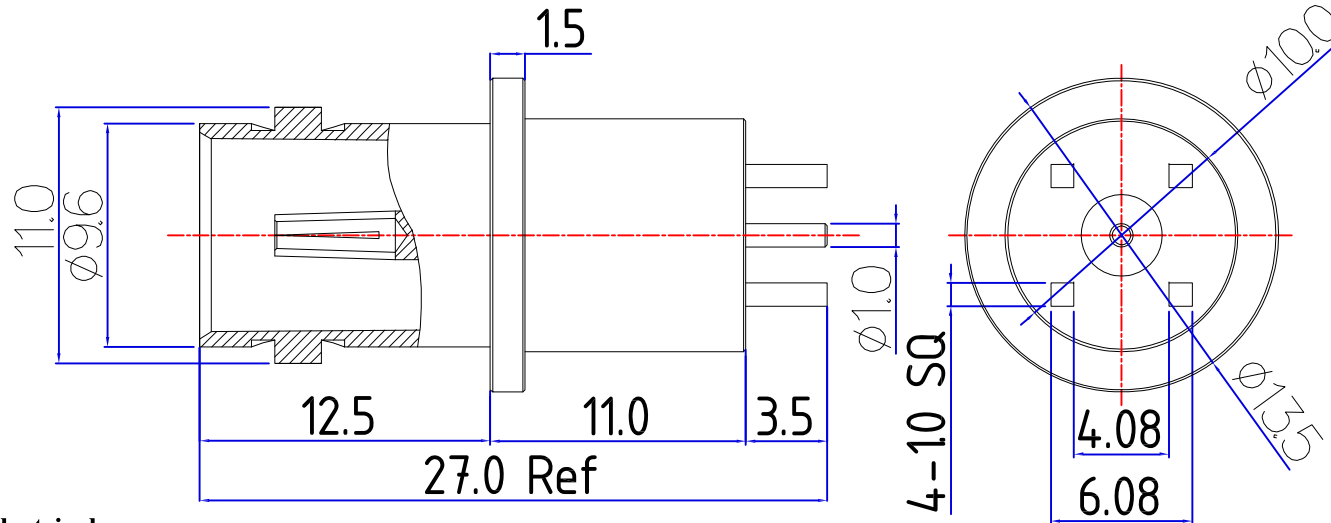




Product NO.		RHT-610-0104			
REV	DESCRIPTION	DWN	DATE	APPROVEN	
A	First issue	SAM	2017/03/14	JIM.KING	



Recommended PCB LayOut

**Electrical :**

- Impedance : 75 ohm
- Frequency Range : 0~6 GHz .
- Voltage Rating : 500 V rms.
- Insulator Resistance :  $\geq 5GW$
- Dielectric Withstanding Voltage : 1000 V rms .
- Contact Resistance : Center Contact  $\leq 3mW$ .
- Outer Contact  $\leq 2.5mW$ .
- Temperature Range : -65°C to 165°C

**Mechanical :**

MatinG : BaYonet CouPlinG.

1	Body	BRASS	Gold:1-1.5u"
2	Contact pin	Beryllium copper	Gold:1-1.5u"
3	Insulation	PTFE	None
4			
5			
NO	Component Number	Material	Finish

-TOLERANCES- UNLESS OTHERWISE SPECIFIED		<b>RENHOTEC GROUP</b>	
		Title: BNC S/T Jack PCB Mount Type(750HM)	
0. $\pm 0.15$	0. $\pm 30^\circ$	P/N: RHT-610-0104	
0.0 $\pm 0.10$	0.0 $\pm 25^\circ$	Appd:	Date   Scale   Unit   Type   Page
0.00 $\pm 0.05$	0.00 $\pm 20^\circ$	Check: <i>Xiong Tan</i>	2017.03.14   Free   MM   Z   1/1
		Draw.: <i>Dwen</i>	