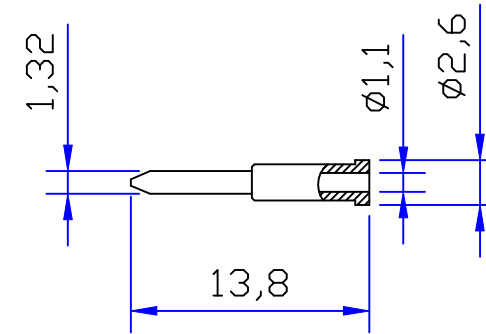
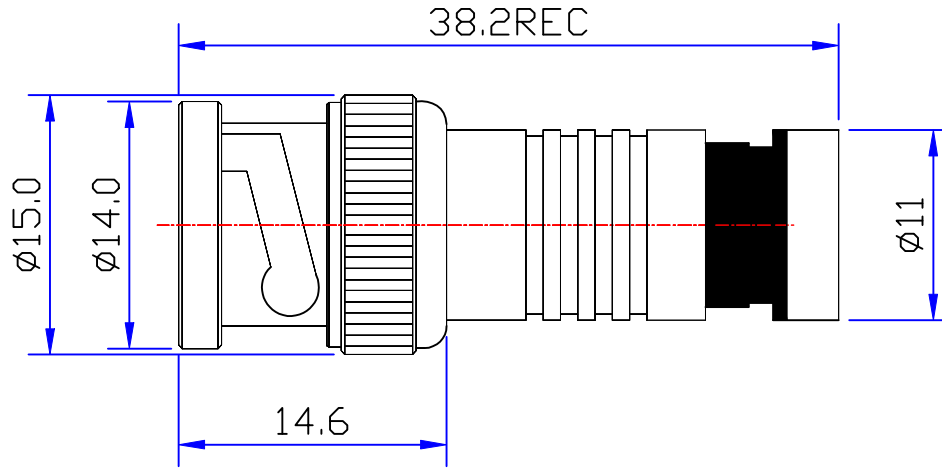




Product NO.	Renhotec-610-0074			
REV	DESCRIPTION	DWN	DATE	APPROVEN
A	First issue	Mr. Wang	2016/3/11	John kine



Specification:

Impedance: 75. Ohms

VSWR: 1.3MAX

Frequency range: DC~4G

Working Voltage: 500V rms @ sea level

Insulation resistance: 5000 Ohms min

Temperature range: -55°C TO +155°C

Relative temperature: ≤95%(40° C±2° C)

Drawings products are in line with ROHS standards .

NOTE:

Tolerance

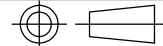
0-6	±0.10
6-30	±0.20
30-120	±0.30
Angular	±2°



RENHOTEC GROUP

DRAWN
Zelin. Zhang
2016/03/11

View



Name: BNC 75OHM PLUG FOR RG6 CABLE

CHECKED

UNIT

MM

SIZE	Product NO. RENHOTEC-610-0074	REV
A		B

APPROVALS
John Kine
11/03.2016

SCALE

1:1

DateTime	2016/3/11	CAD FILE	D/company drawings/BD	SHEET: 1 OF 1
----------	-----------	----------	-----------------------	---------------

C	INSULATOR	PTFE	NONE	1
B	CONTACT PLATINC	BRASS	GOLD	1
A	BODY	BRASS	NICKEL	1
NO	DESCRIPTION	MATERIAL	FINISHED	QTY