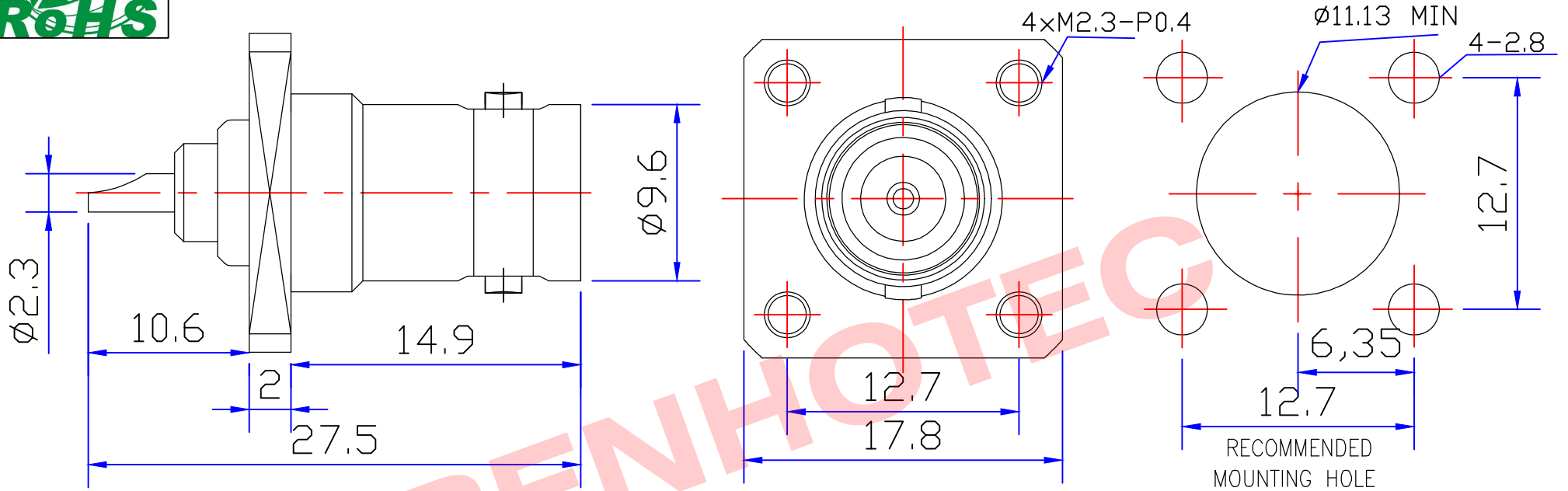


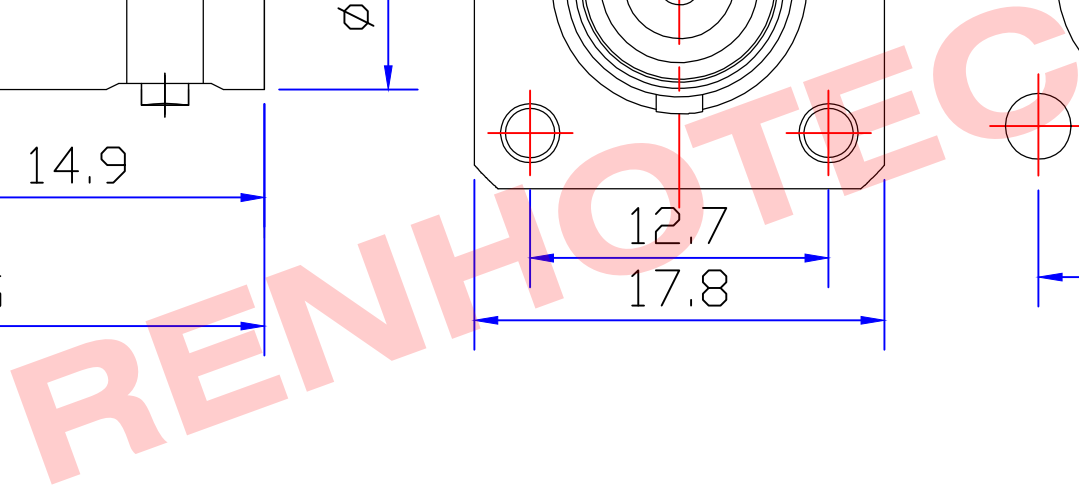


Product NO.	Renhotec-610-0061			
REV	DESCRIPTION	DWN	DATE	APPROVEN
A	First issue	Mr. Wang	2016/3/05	John kine



Specification:

Impedance: 50. Ohms
 VSWR: 1.3MAX
 Frequency range: DC~4G
 Working Voltage: 500V rms @ sea level
 Insulation resistance: 5000 Ohms min
 Temperature range: -55°C TO +155°C
 Relative temperature: $\leq 95\%$ ($40^\circ C \pm 2^\circ C$)
 Drawings products are in line with ROHS standards.



NOTE:		Tolerance	0-6	± 0.10	 RENHOTEC GROUP www.renhotec.com	Name: BNC CONNECTOR DNN				
DRAWN	2016/03/05		6-30	± 0.20		View		Product NO. RENHOTEC-610-0061		
CHECKED		30-120	± 0.30	UNIT				MM	SIZE	A
		Angular	$\pm 2^\circ$				Date	2016/3/05	CAD FILE	D/company drawings/BD
C	INSULATOR	POM	NONE	1	APPROVALS	John	05/03.2016	SCALE	1:1	
B	CONTACT PLATING	BRASS	GOLD	1						
A	BODY	BRASS	NICKEL	1						
NO	DESCRIPTION	MATERIAL	FINISHED	QTY						