

Specification:

Impedance:50. Ohms

VSWR:1.3MAX

Frequency range:DC~4G

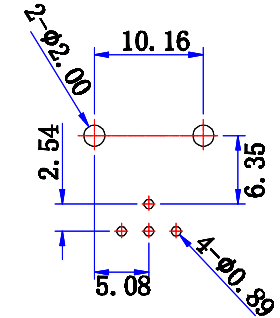
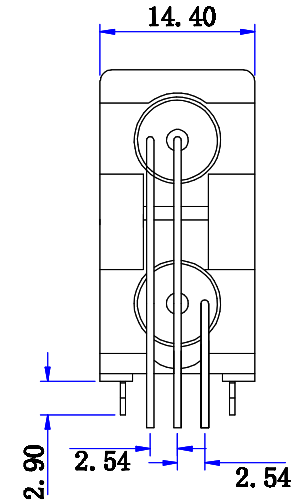
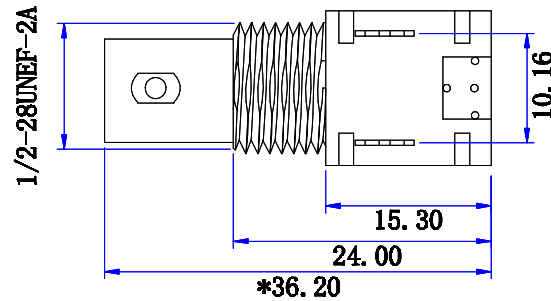
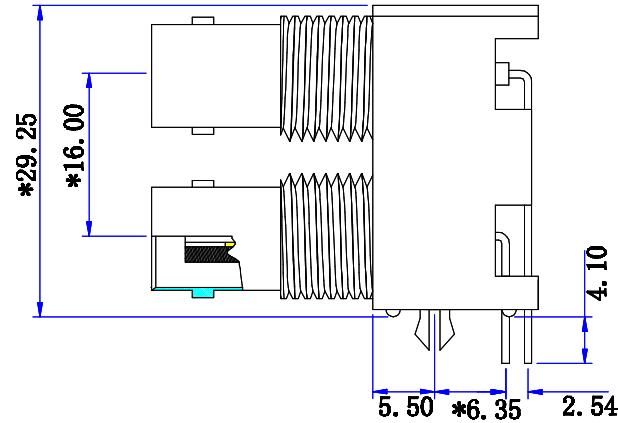
Working Voltage:500V rms @ sea level

Insulation resistance:5000 Ohms min

Temperature range:-55°C TO +155°C

Relative temperature:≤95%(40° C±2° C)

Drawings products are in line with ROHS standards.



Product NO.	Renhotec-610-0050			
REV	DESCRIPTION	DWN	DATE	APPROVEN
A	First issue	Mr. Wang	2016/3/05	John kine

NOTE:

Tolerance

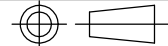
0-6	±0.10
6-30	±0.20
30-120	±0.30
Angular	±2°



RENHOTEC GROUP

DRAWN	2016/03/05
Zelin. Zhang	
CHECKED	

View



UNIT

MM

APPROVALS	09.03.2016
John Kine	

SCALE

1:1

DateTime
2016/3/05

CAD FILE
D/company drawings/BD

SHEET: 1 OF 1

D	Plastic body	ABS	BLACK	1
C	INSULATOR	POM	NONE	1
B	CONTACT PLATING	BRASS	GOLD	4
A	BODY	ZINC	NICKEL	2
NO	DESCRIPTION	MATERIAL	FINISHED	QTY