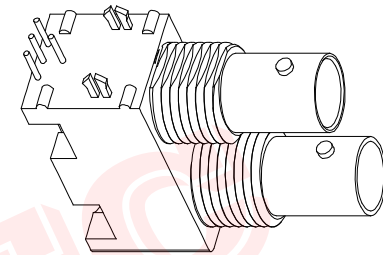
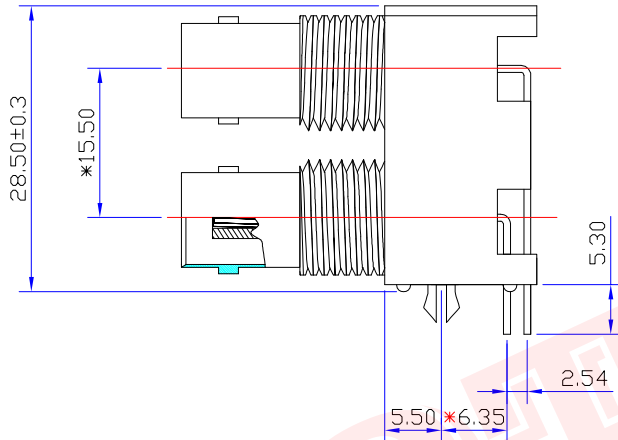
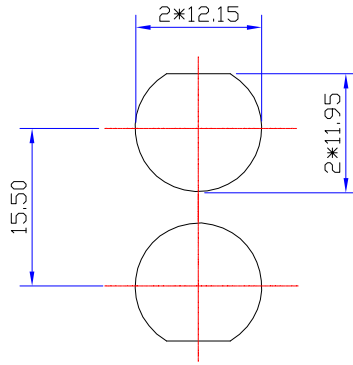


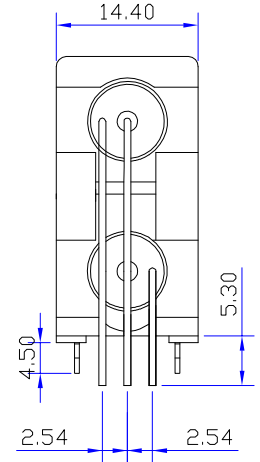
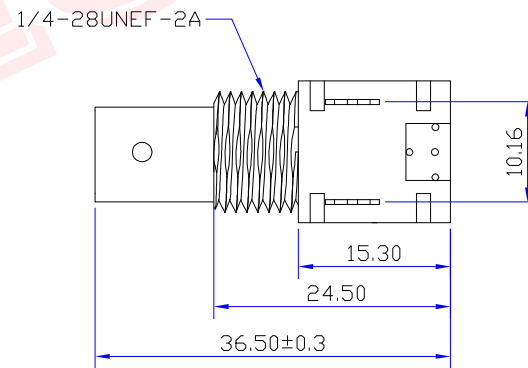
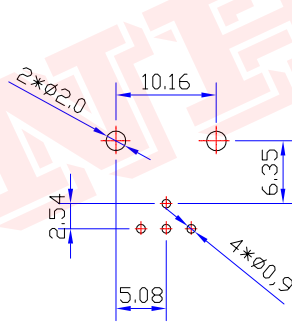


Product NO.		RHT-610-0049		
REV	DESCRIPTION	DWN	DATE	APPROVEN
A	First issue	Mr. Wang	2016/3/08	John kine
B	Product dimensions are subject to change	Gavin	2022/09/29	John kine



Specification:

Impedance: 50 Ohms
 VSWR: 1.3MAX
 Frequency range: DC~4G
 Working Voltage: 500V rms @ sea level
 Insulation resistance: 5000 Ohms min
 Temperature range: -55°C TO +155°C
 Relative temperature: ≤95% (40° C ±2° C)



1	Body	Zinc	NI:80-120u"
2	Center contact	Brass	AU:1u"
3	Lead	Iron	AU:1u"
4	Fixed footrest	Iron	NI:80-120u"
5	Insulator	POM	White
6	Fixed mount	ABS	White
7	Washer	Brass	NI:80-120u"
8	Hex nut	Brass	NI:80-120u"
NO	Component Number	Material	Finish

NOTE:	
DRAWN	2022/09/29
Gavin	
CHECKED	
APPROVALS	2022/09/29
John Kine	

Tolerance	0-8 ±0.20 8-30 ±0.25 30-120 ±0.30 Angular ±2°
View	
UNIT	MM
SCALE	1:1



RENHOTEC GROUP

Name:		BNC JACK CONNECTOR		
SIZE	Product NO.	REV		
A	RHT-610-0049	B		
DateTime	CAD FILE	SHEET:		1 OF 1
2022/09/29	D/company drawings/BD			