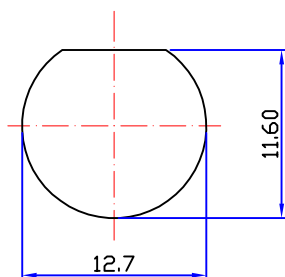
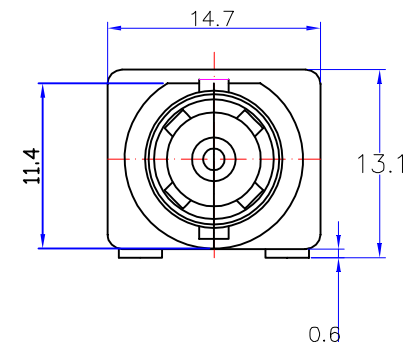
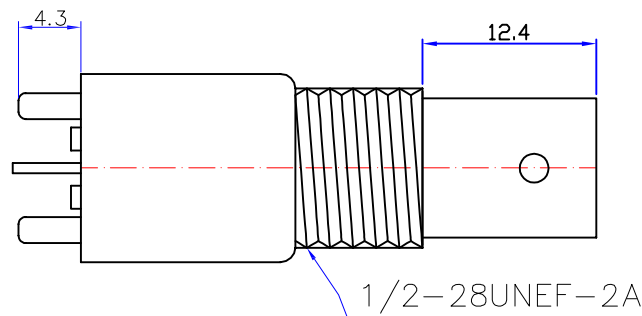
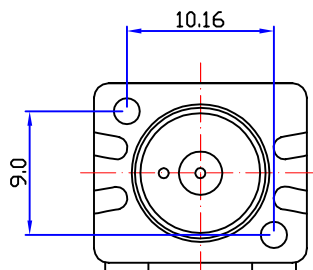




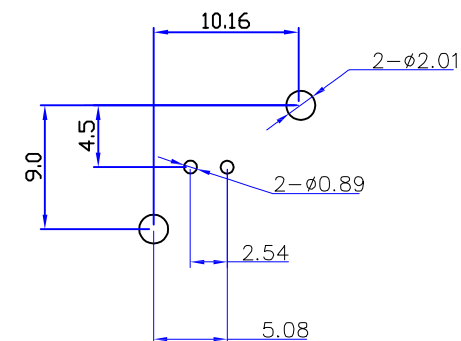
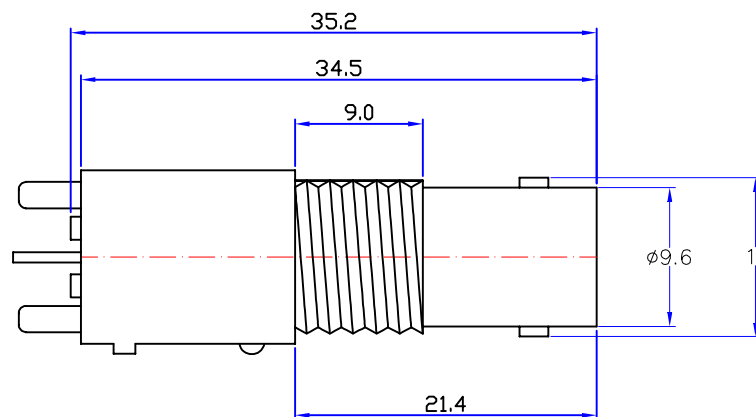
Product NO.

RHT-610-0047

REV	DESCRIPTION	DWN	DATE	APPROVEN
R1.0	First issue	Mr Wang	2016/03/08	JIM. KING
R2.0	First issue	Gavin	2019/11/20	JIM. KING
R3.0	BNC Plug size change	Gavin	2020/12/10	JIM. KING



Recommended hole size



Specifications

Impedance: 50 Ohms
 Frequency Range: DC~4G
 VSWR: 1.3MAX
 Working Voltage: 500V rms @ sea level
 Insulation Resistance: 5000 MOhms min
 Temperature Range: -55°C TO +155°C
 Relative Temperature: ≤95%(40° C±2° C)

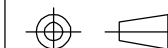
8	Hex Nut	Brass	NI:80-120u"	1
7	Washer	Brass	NI:80-120u"	1
6	Fixed Mount	ABS	White	1
5	Insulator	POM	White	1
4	Fixed Footrest	Iron	NI:80-120u"	1
3	Lead	Iron	AU:1u"	1
2	Center Contact	Brass	AU:1u"	1
1	BODY	Zinc	NI:80-120u"	1
NO	DESCRIPTION	MATERIAL	FINISH	QTY

-TOLERANCES-
UNLESS OTHERWISE
SPECIFIED

UNLESS OTHERWISE SPECIFIED
TOLERANCES FOR MILLIMETERS ARE:
0.5 - 8mm ± 0.20mm
8 - 30mm ± 0.25mm
30 - 120mm ± 0.30mm



RENHOTECH GROUP



PART DESCRIPTION:

RHT-610-0047

Appd: JIM. KING

P/N: BNC WHITE JACK CONNECTOR(13.1)

Check:

Date

Scale

Unit

Type

Page

Draw:

Gavin

2020.12.10

Free

MM

Z

1/1

1

2

3

4

5

6