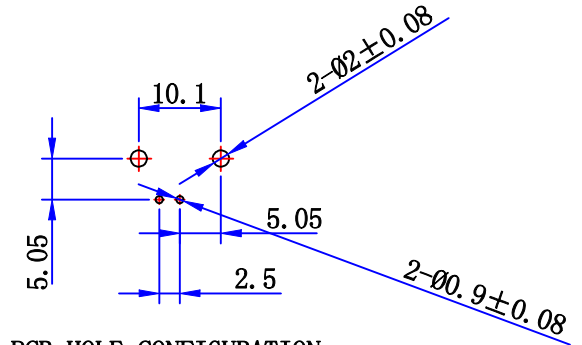
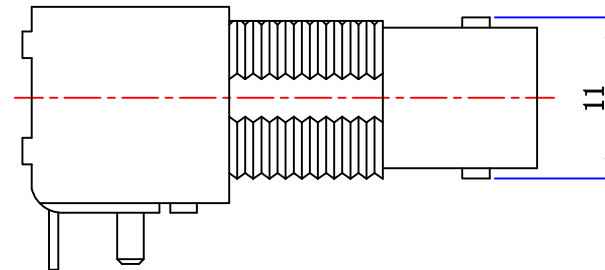
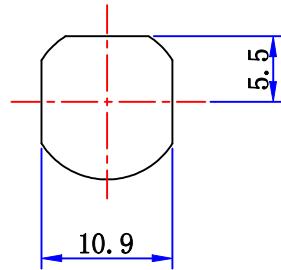
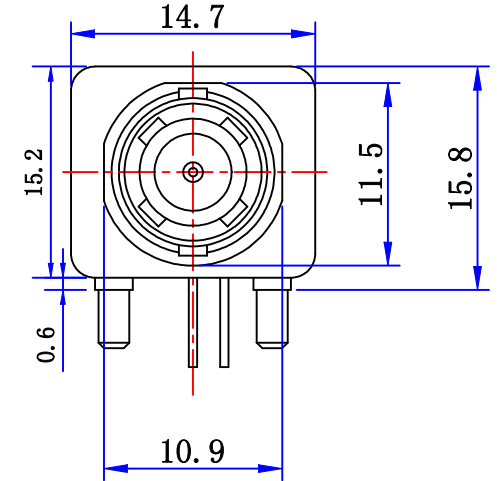
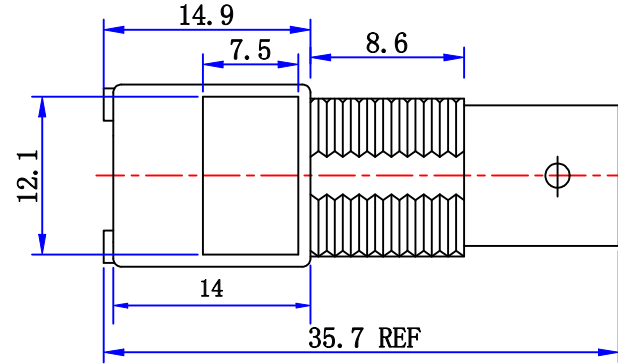
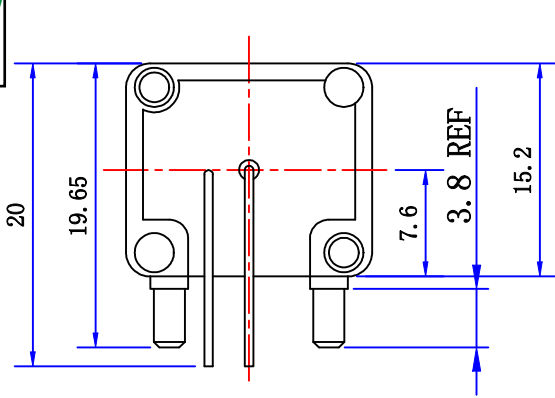




Product NO.	Renhotec-610-0037			
REV	DESCRIPTION	DWN	DATE	APPROVEN
A	First issue	Mr. Wang	2016/3/05	John kine



PCB HOLE CONFIGURATION
RECOMMENDED PANEL CUTOUTS

Specification:

Impedance:50.75. Ohms

VSWR:1.3MAX

Frequency range:DC~4G

Working Voltage:500V rms @ sea level

Insulation resistance:5000 Ohms min

Temperature range:-55°C TO +155°C

Relative temperature:≤95%(40° C±2° C)

Drawings products are in line with ROHS standards .

NOTE:

DRAWN	2016/03/05
Zelin. Zhang	
CHECKED	
APPROVALS	09/03/2016
John Kine	

Tolerance	0-6 ±0.10 6-30 ±0.20 30-120 ±0.30 Angular ±2°
View	
UNIT	MM
SCALE	1:1

		RENHOTEC GROUP	
Name: BNC CONNECTOR DNN			
SIZE A	Product NO. RENHOTEC-610-0037	REV	
DateTime	2016/3/05	CAD FILE	SHEET: 1 OF 1
		D/company drawings/BD	

3	BODY	ZINC	NICKEL	1
2	INSULATOR	POM	WHITE	1
1	PIN	BRASS	GOLD	1
NO	DESCRIPTION	MATERIAL	FINISH	QTY