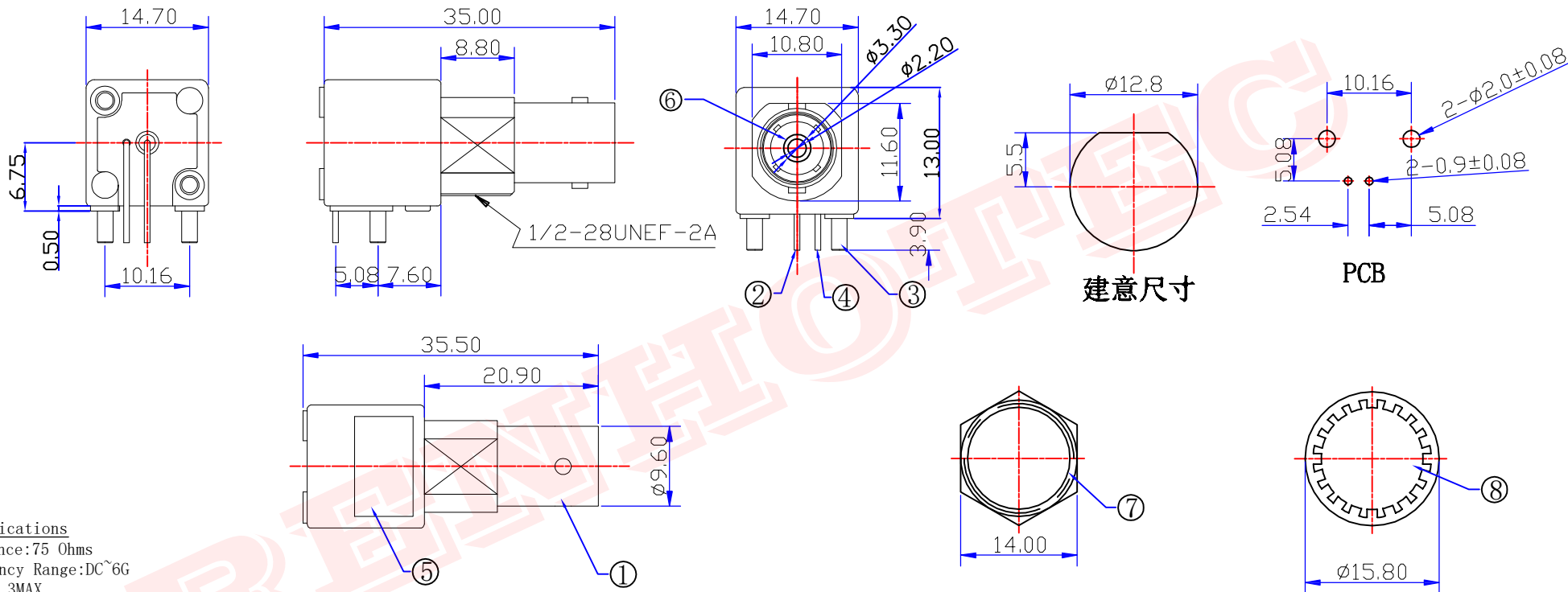




Product NO.

RHT-610-0035

REV	DESCRIPTION	DWN	DATE	APPROVEN
A	First issue	Mr. Wang	2016/03/05	JIM. KING
B	First issue	Gavin	2019/08/01	JIM. KING



**Specifications**

Impedance:75 Ohms  
 Frequency Range:DC~6G  
 VSWR:1.3MAX  
 Working Voltage:500V rms @ sea level  
 Insulation Resistance:5000 Ohms min  
 Temperature Range:-55°C TO +155°C  
 Relative Temperature: $\leq 95\%$  (40° C $\pm 2^\circ$  C)  
 Drawings products are in line with ROHS standards

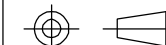
NO	DESCRIPTION	MATERIAL	FINISH	QTY
8	WH-00002-NI-0	Brass	NI:80-120u"	1
7	NU-00002-NI-0	Brass	NI:80-120u"	1
6	IN-00010-0	Pom	White	1
5	IN-00008/09-0	Pom	White	1
4	TR-00002-SN-0	Brass	SN	1
3	TR-00007-SN-0	Iron	SN	2
2	PN-00008-CL3-0	Phosphor	AU:3u"	1
1	BY-00005/06-NY-0	ZINC	NI:80-120u"	1

-TOLERANCES-  
UNLESS OTHERWISE  
SPECIFIED

UNLESS OTHERWISE SPECIFIED  
TOLERANCES FOR MILLIMETERS ARE:  
0.5 - 8mm  $\pm 0.20$ mm  
8 - 30mm  $\pm 0.25$ mm  
30 - 120mm  $\pm 0.30$ mm



**RENHOTEC GROUP**



PART DESCRIPTION:  
RHT-610-0035

Appd: JIM. KING	P/N: BNC Jack 90° PCB Mount				
Check:	Date	Scale	Unit	Type	Page
Draw: Gavin	2019.08.01	Free	MM	Z	1/1