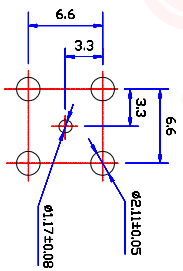
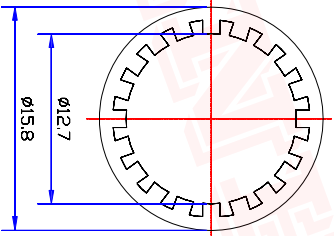
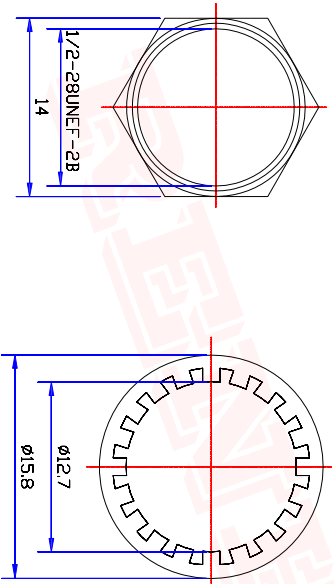
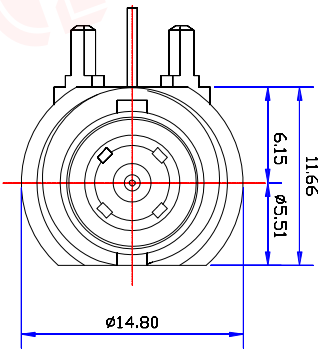
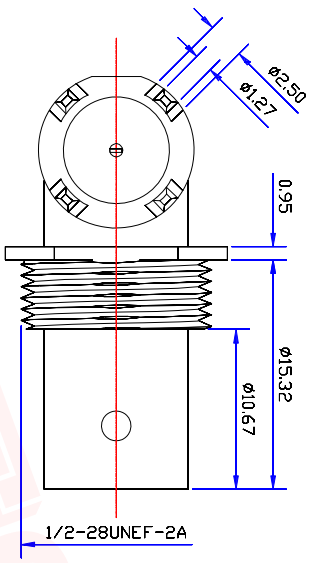
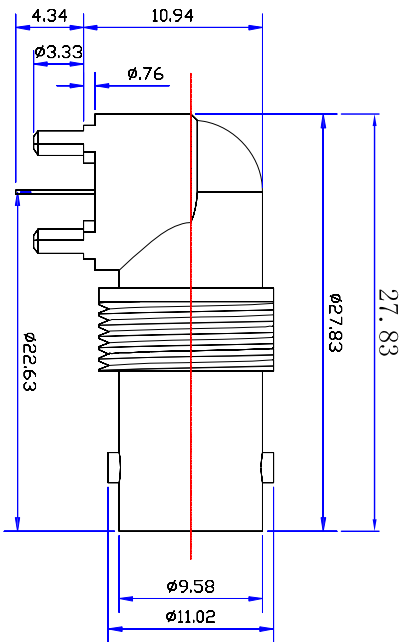
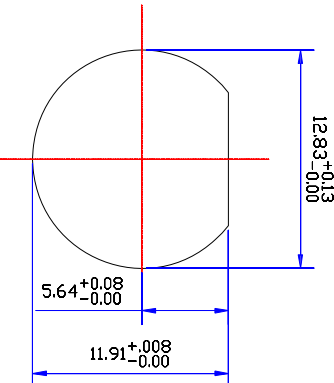




Product NO.		RHT-610-0034	
REV	DESCRIPTION	DWN	DATE
A	First issue	Gavin	2017/04/23
			APPROVEN
			JIM.KING



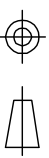
PCB HOLE CONFIGURATION
RECOMMENDED PANEL CUTOUTS



Specifications
 Impedance: 75 Ohms
 Frequency Range: DC~6G
 VSWR: 1.3MAX
 Working Voltage: 500V rms @ sea level
 Insulation Resistance: 5000 Ohms min
 Temperature Range: -55°C TO +155°C
 Relative Temperature: ≤95% (40° C ±2° C)
 Drawings products are in line with ROHS standards

3	CONTACT PLATING	BRASS	AU: 1u" - 2u"	2
2	INSULATING	POM	WHITE	1
1	BODY	ZINC	NI: 80u" - 120u"	1
NO	DESCRIPTION	MATERIAL	FINISH	QTY

-TOLERANCES-
UNLESS OTHERWISE
SPECIFIED



Appd: JIM.KING

Check:

Draw: Gavin



RENHOTEC GROUP

PART DESCRIPTION:

BNC CONNECTOR DNN

P/N: RHT-610-0034

Date: Scale: Unit: Type: Page:

2017. 04. 23 Free MM Z 1/1

UNLESS OTHERWISE SPECIFIED
TOLERANCES FOR MILLIMETERS ARE:
0.5 - 8mm ± 0.10mm
8 - 30mm ± 0.15mm
30 - 120mm ± 0.20mm