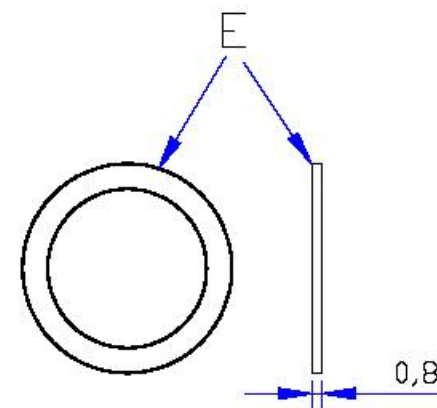
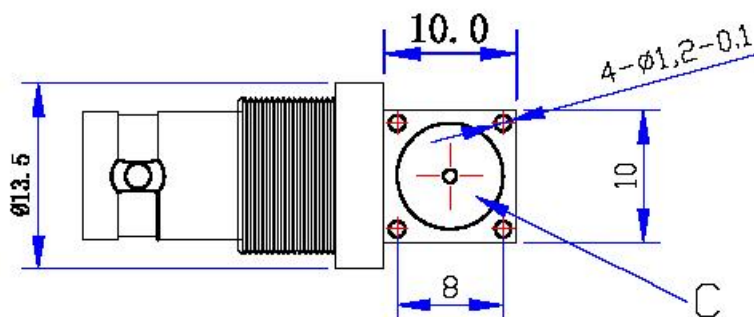
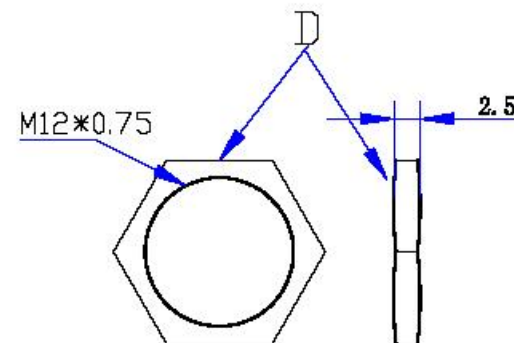
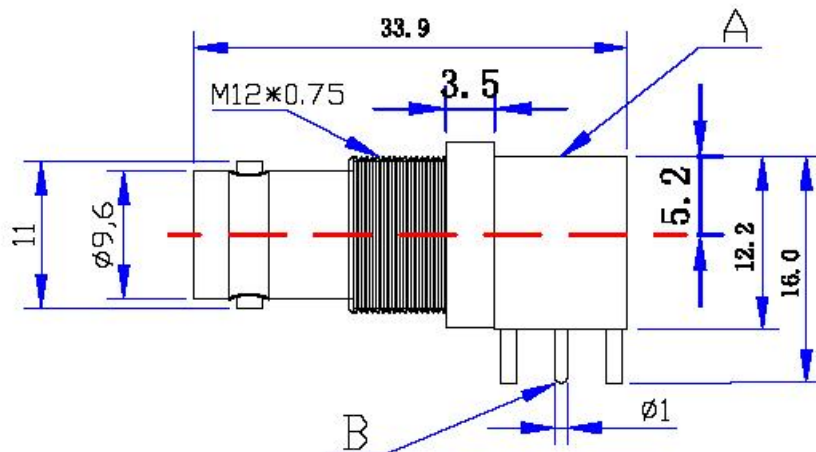




Product NO.	Renhotec-610-0031			
REV	DESCRIPTION	DWN	DATE	APPROVEN
A	First Issue	Mr. Wang	2016/3/05	John King



Specification:

Impedance: 50. Ohms

VSWR:1.3MAX

Frequency range:DC~4G

Working Voltage:500V rms @ sea level

Insulation resistance:5000 Ohms min

Temperature range:-55°C TO +155°C

Relative temperature:≤95%(40° C±2° C)

Drawings products are in line with ROHS standards.

NOTE:

Tolerance

0-6	±0.10
6-30	±0.20
30-120	±0.30
Angular	±2°

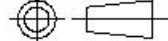


RENHOTEC GROUP

E	GASKET	TE	NICKEL	1
D	NUT	BRASS	NICKEL	1
C	INSULATOR	TEFLON	WHITE	1
B	CONTACT PLATING	BRASS	GOLD	1
A	BODY	BRASS	NICKEL	1
NO	DESCRIPTION	MATERIAL	FINISHED	QTY

DRAWN
Zelin Zhang
2016/03/05
CHECKED
APPROVALS
John King
04.05.2016

View



UNIT

MM

SCALE

1:1

Name: BNC CONNECTOR DNN

SIZE A Product NO. RENHOTEC-610-0031

Date/Time 2016/3/05

CAD FILE D/company drawings/BD

SHEET: 1 OF 1