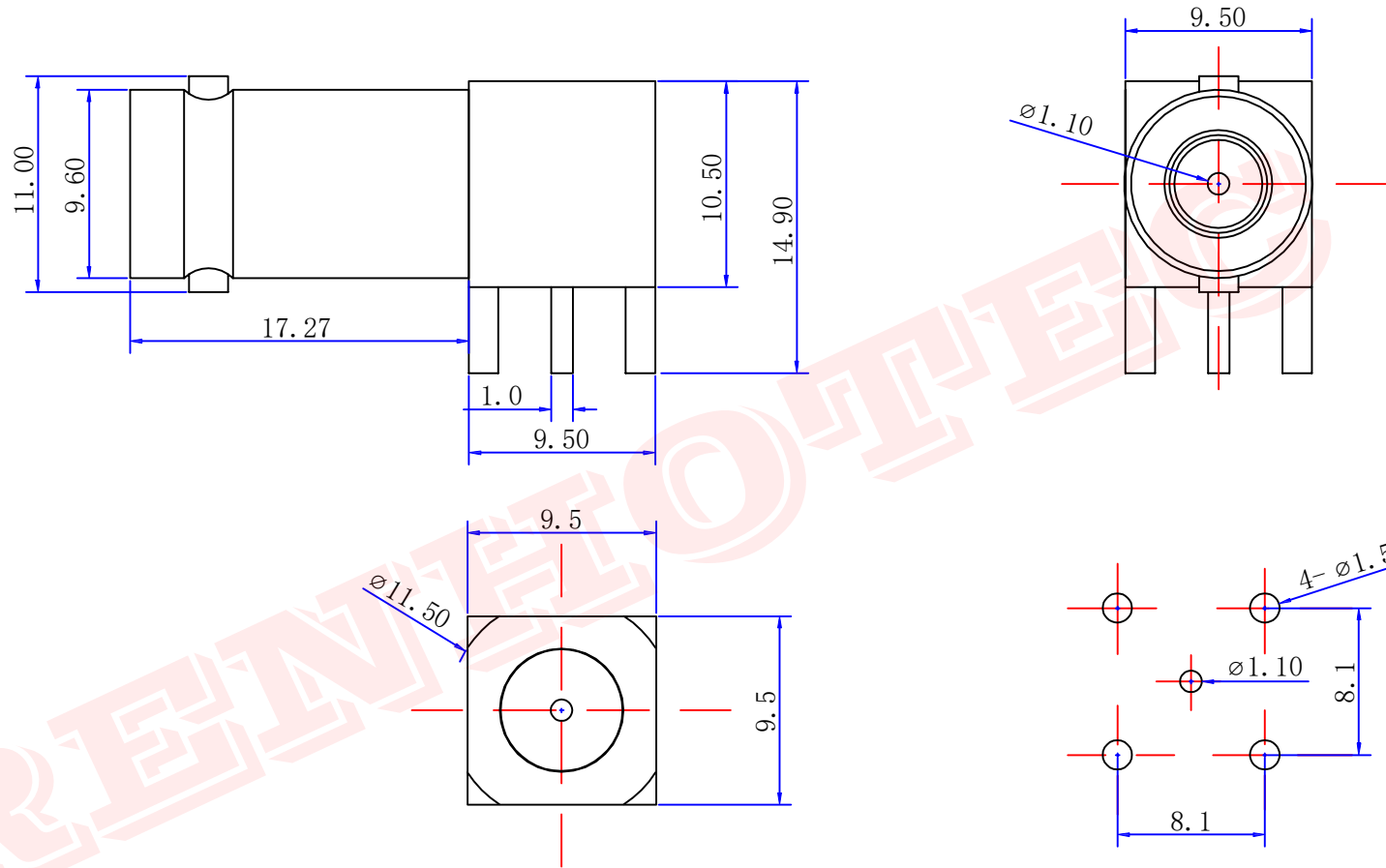




|             |             |              |            |           |
|-------------|-------------|--------------|------------|-----------|
| Product NO. |             | RHT-610-0027 |            |           |
| REV         | DESCRIPTION | DWN          | DATE       | APPROVEN  |
| R1.0        | First issue | Mr. Wang     | 2016/03/05 | JIM. KING |
| R2.0        | First issue | Gavin        | 2023/09/27 | JIM. KING |



**Specifications**

Impedance:50 Ohms  
 Frequency Range:DC~3G  
 VSWR:1.3MAX  
 Voltage Ratin:500 Volts RMS Max Continuous  
 Dielectric Withstanding Voltag:1500 VRMS MaxTemperature  
 Insulation Resistance:5000 MΩ Min  
 Mating Cycles:500 Min  
 Range:-55°C TO +165°C

|    |             |          |               |     |
|----|-------------|----------|---------------|-----|
| 3  | Center pin  | Brass    | Gold-plated   | 1   |
| 2  | Insulating  | POM      | None          | 1   |
| 1  | Body        | Brass    | Nickel plated | 1   |
| NO | DESCRIPTION | MATERIAL | FINISH        | QTY |

|   |                       |           |   |       |      |
|---|-----------------------|-----------|---|-------|------|
| -TOLERANCES-<br>UNLESS OTHERWISE<br>SPECIFIED   | <b>RENHOTEC GROUP</b> |           |   |       |      |
|   |                       |           | PART DESCRIPTION:<br>BNC JACK FOR PCB CONNECTOR |       |      |
| UNLESS OTHERWISE SPECIFIED<br>TOLERANCES FOR MILLIMETERS ARE:<br>0.5 - 8mm ± 0.10mm<br>8 - 30mm ± 0.15mm<br>30 - 120mm ± 0.20mm | Appd:                 | JIM. KING | P/N:<br>RHT-610-0027                            |       |      |
|   | Check:                |           | Date  | Scale | Unit |
|   | Draw:                 | Gavin     | 2023.09.27                                      | Free  | MM   |
|   |                       |           | Type  | Page  |      |
|   |                       |           | Z   | 1/1   |      |

Recommended PCB hole size