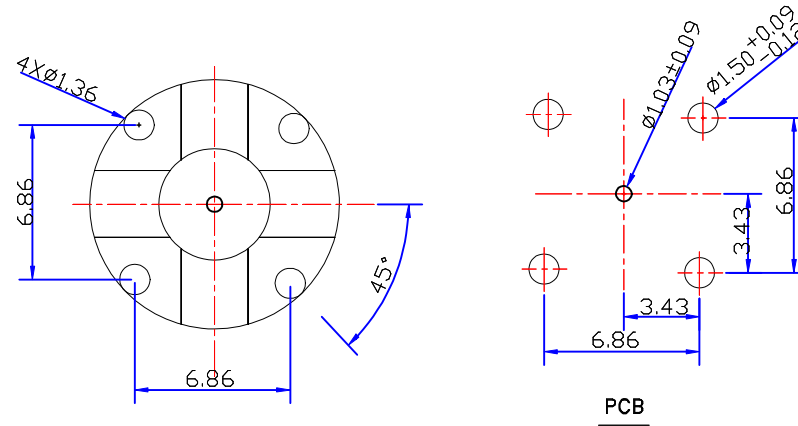
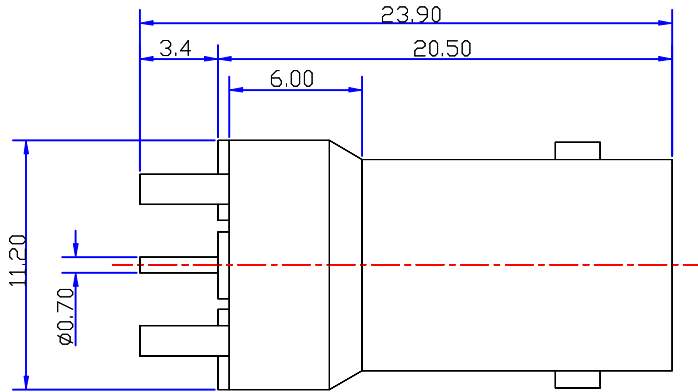




Product NO.	Renhotec-610-0022			
REV	DESCRIPTION	DWN	DATE	APPROVEN
A	First issue	Mr. chen	2016/3/02	John kine



SPECIFICATIONS:

Impedance: 75 Ohms
 Frequency Range:DC~3G
 VSWR:1.3max
 Working Voltage:500v RMS @ SEA level
 Insulation Resistance:5000 Ohms min
 Temperature Range:-40°C TO +110°C
 Drawings products are in line with ROHS standards

NOTE:
 DRAWN Zelin.Zhang 2016/03/02
 CHECKED

Tolerance	0-6 ±0.10 6-30 ±0.20 30-120 ±0.30 Angular ±2°
View	
UNIT	MM
SCALE	1:1



RENHOTEC GROUP

Name: BNC JACK CONNECTOR DNN	
SIZE A	Product NO. RENHOTEC-610-0022
DateTime	2016/3/02
CAD FILE	D/company drawings/BD
SHEET: 1 OF 1	

C	INSULATOR	TEFLON	NONE	1
B	CONTACT PLATINC	BRASS	GOLD	1
A	BODY	zinc	NICKEL	1
NO	DESCRIPTION	MATERIAL	FINISHED	QTY

APPROVALS
 John Kine 09.03.2016