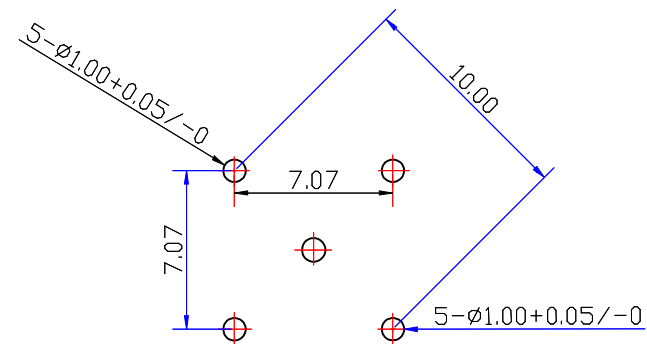
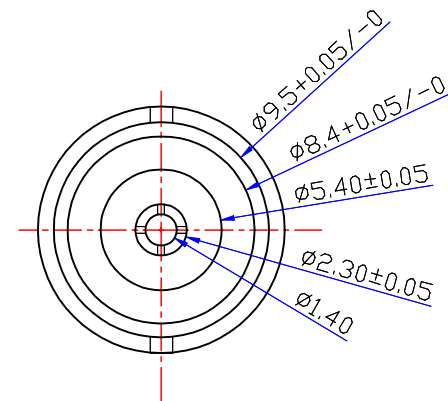
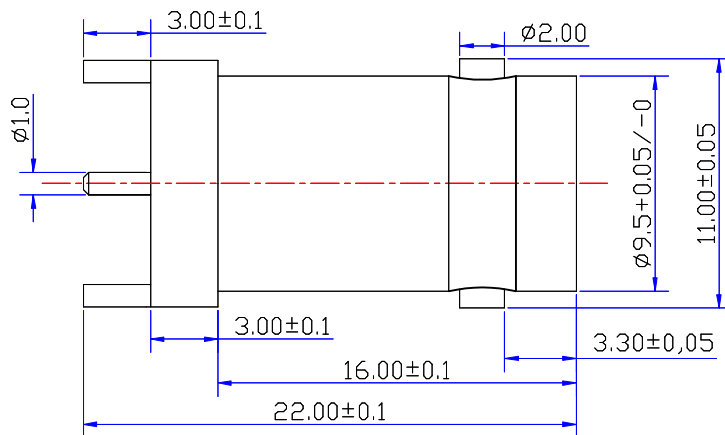
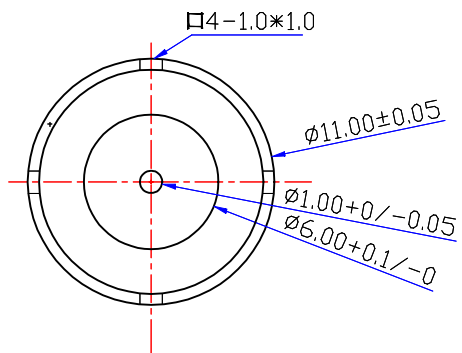




Product NO.	Renhotec-610-0021			
REV	DESCRIPTION	DWN	DATE	APPROVEN
A	First issue	Mr. Wang	2016/3/02	John kine



建议PCB尺寸图

Specification:

SWR:1.3MAX
 Frequency range:DC~4G
 Working Voltage:500V rms @ sea level
 Insulation resistance:5000 Ohms min
 Temperature range:-55°C TO +155°C
 Relative temperature:≤95%(40° C±2° C)
 Drawings products are in line with ROHS standards.

NOTE:		Tolerance	0-6 ±0.10
DRAWN Zelin. Zhang			6-30 ±0.20
2016/03/02		View	30-120 ±0.30
CHECKED			Angular ±2°
APPROVALS John Kine		UNIT	MM
09.03.2016			SCALE



RENHOTEC GROUP

Name: BNC JACK CONNECTOR DNN

C	INSULATOR	TEFLON	NONE	1
B	CONTACT PLATING	BRASS	GOLD	1
A	BODY	BRASS	NICKEL	1
NO	DESCRIPTION	MATERIAL	FINISHED	QTY

SIZE A	Product NO. RENHOTEC-610-0021	REV B
DateTime 2016/3/02	CAD FILE D/company drawings/BD	SHEET: 1 OF 1